



liftinstituut
SINCE 1933



EU-TYPE EXAMINATION CERTIFICATE

Issued by Liftinstituut B.V.
identification number Notified Body 0400,
commissioned by Decree no. 2018-0000125182

Certificate no. : NL16-400-1002-075-05 Revision no.: 2

Description of the product : Door locking device for automatic horizontal sliding landing doors.

Trademark : Tecnolama S.A,

Type : 210/10/40

Name and address of the manufacturer : Tecnolama S.A.
Ctra. Constantí km.3
43204 Reus, Spain
A list of manufacturers is set in chapter 1 of the belonging report

Name and address of the certificate holder : Tecnolama S.A.
Ctra. Constantí km.3
43204 Reus, Spain

Certificate issued on the following requirements : Lifts Directive 2014/33/EU

Certificate based on the following standard : Parts of: EN81-1/2:1998+A3:2009, EN 81-20:2020, EN 81-50:2020

Test laboratory : None

Date and number of the laboratory report : None

Date of EU-type examination : April-July 2016, April 2018, September 2021

Additional document with this certificate : Report belonging to the EU-type examination certificate no.: NL16-400-1002-075-05 rev.2


Additional remarks : This revision replaces certificate NL16-400-1002-075-05 rev. 1 of 10-04-2018. See chapter 2 & 5 of the report belonging to this EU-type examination certificate for additional conditions.

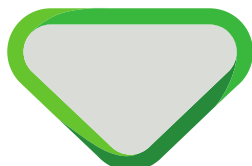
Conclusion : The safety component meets the requirements of the Lifts Directive 2014/33/EU taking into account any additional remarks mentioned above.

Amsterdam

Date : 20-09-2021
Valid until : 20-09-2026


ing A.J. van Ommen
International Business
Manager


Certification decision by



Report EU-type examination

Report belonging to EU-type examination certificate number	: NL16-400-1002-075-05
Date of issue of original certificate	: 21-07-2016
Certificate applies to	: Safety component
Revision number / date	: 2 / 20-09-2021
Requirements	: Lifts Directive 2014/33/EU Standards: EN 81-1/2 :1998+A3 :2009 EN 81-20 :2020, EN 81-50 :2020
Project number	: P160163-01, P210090

1. General specifications

Description of the product	: Door locking device for automatic horizontal sliding landing doors
Trademark	: Tec nolama, S.A. Ctra. Constantí km.3 43204 Reus, Spain
Type	: 210/10/40
Name and address of the manufacturer	: Tecnolama, S.A. Ctra. Constantí km.3 43204 Reus, Spain

Tecnidoors S.p.A.
Via M. Ferrari 5 / 7
28012 Cressa (Novara)
P. IVA: IT 02184530026, Italy

Enginova Sp. z o.o.
ul. Wschodnia 11
99-300 Kutno, Poland

Tecno Doors Pvt. Ltd.
Plot No. L-1
SIPCOT Ind. Park Sriperumbudur



Mambakkam & Pondur "A" Village
Sriperumbudur Taluk, Kancheepuram Dist.
(Tamil Nadu) 602106, India

Ningbo Arttec Co.Ltd.
Ningbo European Ind.park first seashore
road, Hangzhou bay new zone-P.C 315336
Cixi city Zhejiang,China

Test location : Tecnolama, S.A.
Ctra. Constantí km.3
43204 Reus, Spain

Date of examination : May-July 2016, April 2018, September
2021

Examination performed by : W. Visser, M.Issa

2. Description safety component

The door locking device 210/10/40 consist of two parts, the locking housing and the locking hook. The door locking device can be used on automatic horizontal sliding landing doors, both telescopic (T) and central opening (C).

The locking takes place by a hook mounted on the door panel. The housing is mounted on the door rail. Also is it possible to open the lock by means of a triangular key according to the requirements of the mentioned standards.

The lock has variations which differ from the standard design: these are The IP-54 model where it has an IP-54 safety contact, panoramic model has a different lining of the rollers, SL model which has smaller bushings and MO model which has the ability to adjust the pulling wheel to adapt with different car skates.

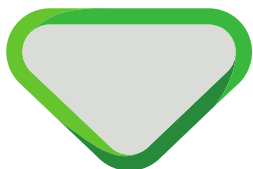
Different safety contacts can be used:

CONTACT #1

Manufacturer	Fermator
Contact type	TC000419 + TC000397
U _e / I _e	230 VAC / 1 A AC or 200 VDC / 1 A DC

CONTACT #2

Manufacturer	Suns
Contact type	EDC 61 L + DCA F3A
U _e / I _e	230 VAC / 2 A AC or 200 VDC / 1 A DC



For IPX3

CONTACT #3

Manufacturer	Suns
Contact type	EDC 64 X3 + DCA F3C
U_e / I_e	230 VAC / 1 A AC or 200 VDC / 0.5 A DC

For the IP54 model:

CONTACT #4

Manufacturer	Bernstein
Contact type	T12-A1Z KS
U_e / I_e	240 VAC / 3 A AC or 250 VDC / 0,27 A DC

See annex 1 for a general overview of the product

3. Examinations and tests

The examination covered a check whether compliance with the Lifts Directive 2014/33/EU is met, based on the harmonized product standards EN81-1/2, EN81-20 and EN81-50.

The examination included:

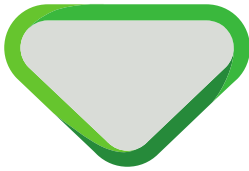
- Examination of the technical file (See annex 2):
- Examination of the representative model in order to establish conformity with the technical file.
- Verification of the required tests which are performed by manufacturer.
- Inspections and tests to check compliance with the requirements.

The tests which are performed are as stated in annex F1 of the EN 81-1/2 and clause 5.2 of EN81-50. These tests have been performed by the manufacturer at their test location in the Tecnomama premises Reus, Spain.

Some tests are repeated with Liftinstituut present, in order to validate the correctness of testing and test equipment.

The electrical safety contacts that can be used are also tested at Tecnomama test location or by the specific manufacturer. Test reports are verified by Liftinstituut. Some tests are repeated with Liftinstituut present, in order to validate the correctness of testing and test equipment.

Tecnomama S.A. and the other factories mentioned in chapter 1 of this report have a certificate of the quality assurance system, according Lifts Directive 2014/33/EU, annex VII



module H. The scope of this certificate is designing, manufacturing, performing final inspection and tests of locking devices for landing doors. Therefore all mentioned factories can perform the tests mentioned in clause 5.2 of EN 81-50 themselves.

For the 5 year renewal of the certificate, randomly picked tests have been repeated and witnessed remotely by Liftinstituut.

4. Results

After the final examination the product and the technical file were found in accordance with the requirements. The functional tests passed without remarks.
The load tests passed without remarks.

5. Conditions

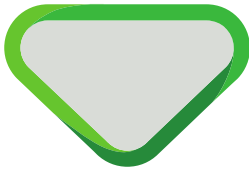
On the EU type-examination certificate the following conditions shall be taken into account:

- The door lock shall be used for horizontal power operated sliding landing doors only.
- Locking distance before making contact must be at least 7 mm
- The maintenance and installation instructions shall be provided with the lift.
- The position of the unlocking triangle shall be according to clause 5.3.9.3.2 of EN81-20.
- The complete landing door lock assembly with the door panels and their mechanical linkage, shall be designed according to corresponding requirements of EN81-20 and tested according 5.2.3.1 of EN81-50. Module H of the manufacturer is securing this.

6. Conclusions

Based upon the results of the EU-type examination Liftinstituut B.V. issues an EU-type examination certificate.

The EU-type examination certificate is only valid for products which are in conformity with the same specifications as the type certified product. The certificate is issued based on the requirements that are valid at the date of issue. In case of changes of the product specifications, changes in the requirements or changes in the state of the art the certificate holder shall request Liftinstituut B.V. to reconsider the validity of the certificate.



7. CE marking and EU Declaration of conformity

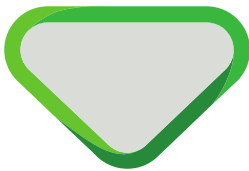
Every safety component that is placed on the market in complete conformity with the examined type must be provided with a CE marking according to article 18 of the Lift directive 2014/33/EU under consideration that conformity with eventually other applicable Directives is proven. Also every safety component must be accompanied by an EU declaration of conformity according to annex II of the Directive in which the name, address and Notified Body identification number of Liftinstituut B.V. must be included as well as the number of the EU-type examination certificate.

An EU type-certified safety component shall be subject to the conformity assessment procedure, before these safety components may be CE-marked and may be placed on the market. This random check can be performed by any of the factories mentioned in chapter 1 of this report. The CE marking on the locking device shall be followed by the identification number of the Notified Body involved in certification of the manufacturers full quality assurance, according to Annex VII, module H.

Prepared by:

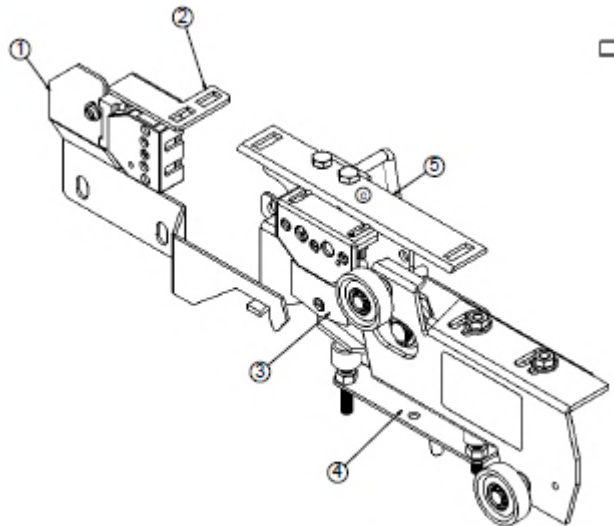
Certification decision by:

W. Visser
Product Specialist Certification

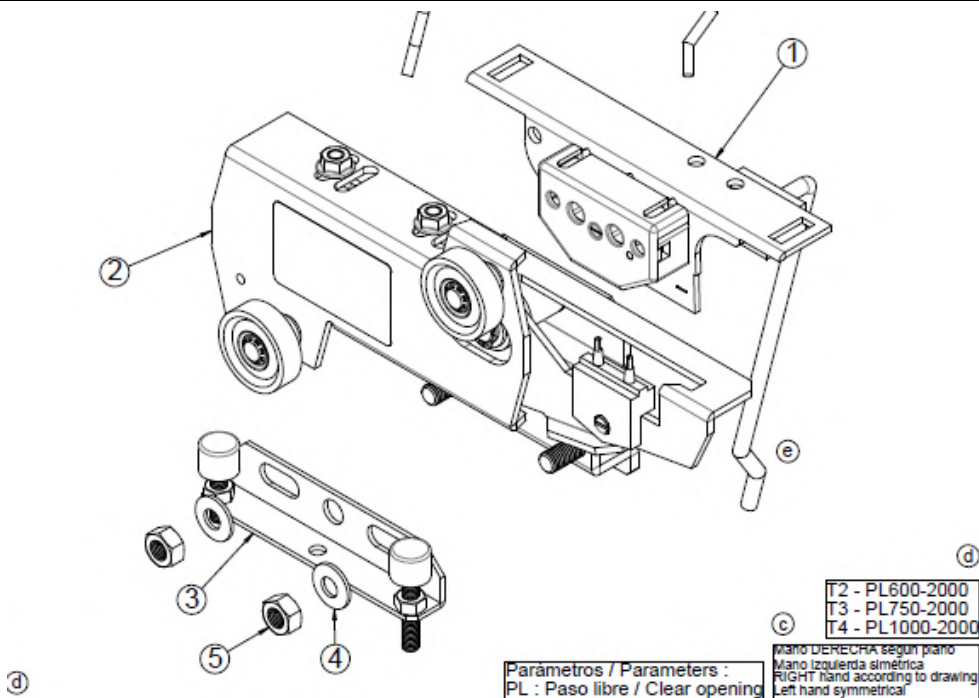


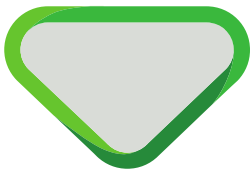
Annexes

Annex 1a. 210/10/40 ST C

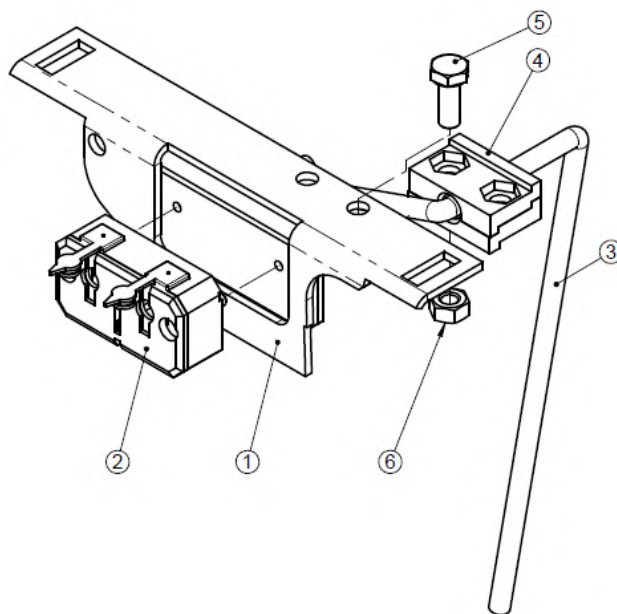


Annex 1b. 210/10/40 ST T

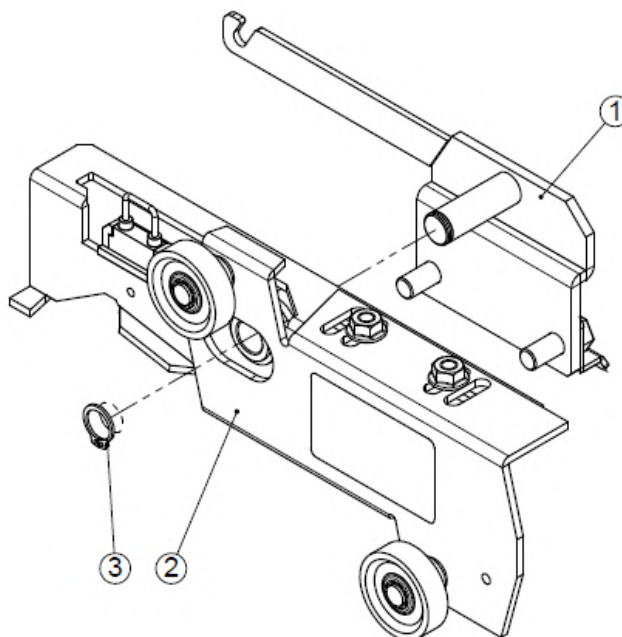


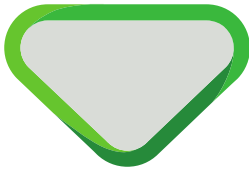


Annex 1c. 210/10/40 ST IPX3 contact

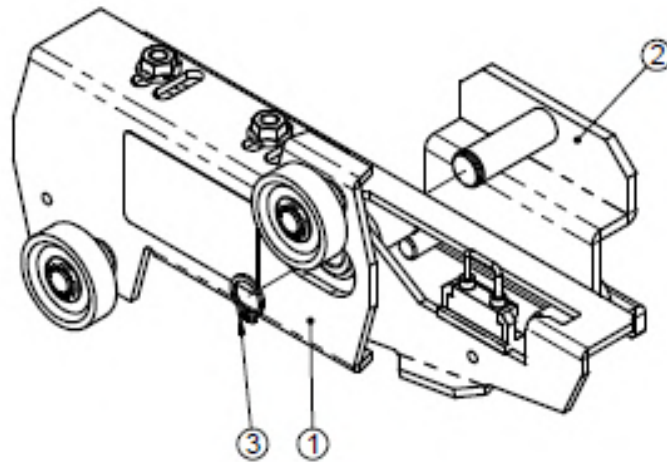


Annex 1d. 210/10/40 ST IPX3 C

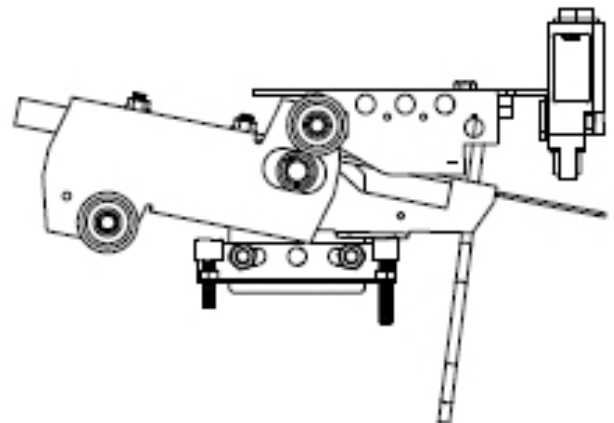
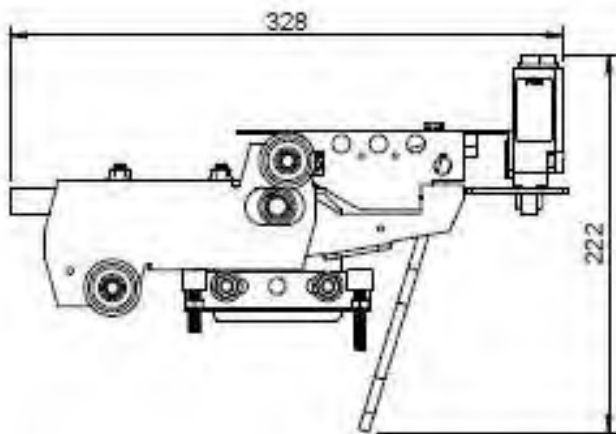


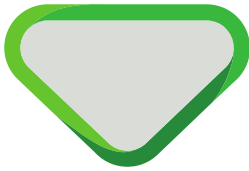


Annex 1e. 210/10/40 ST IPX3 T

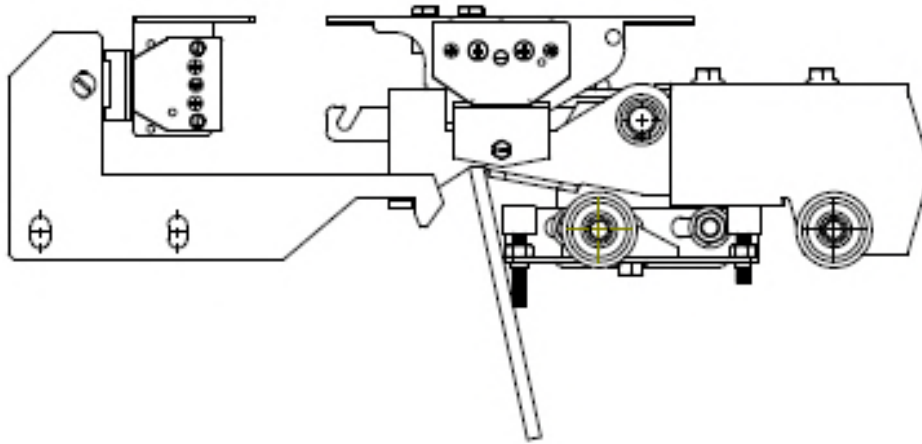


Annex 1f. 210/10/40 IP54 T Bernstein

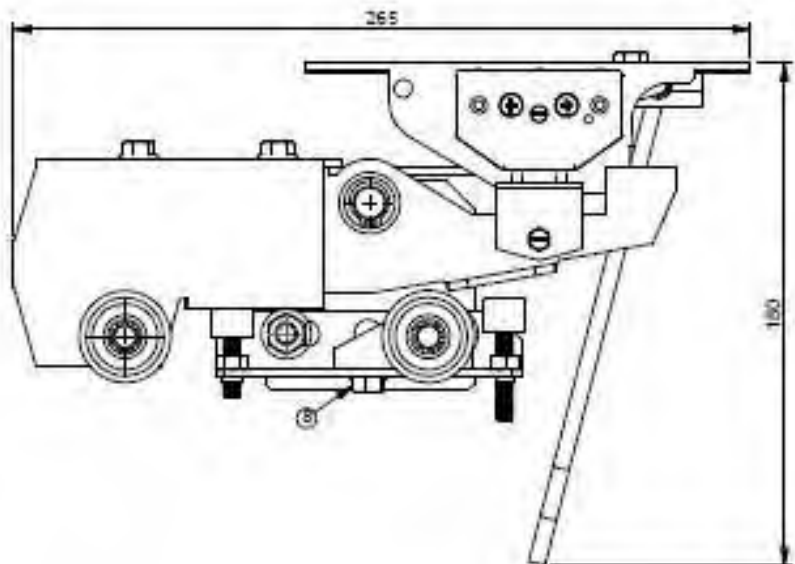


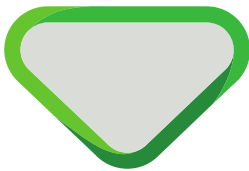


Annex 1g. 210/10/40 PA C

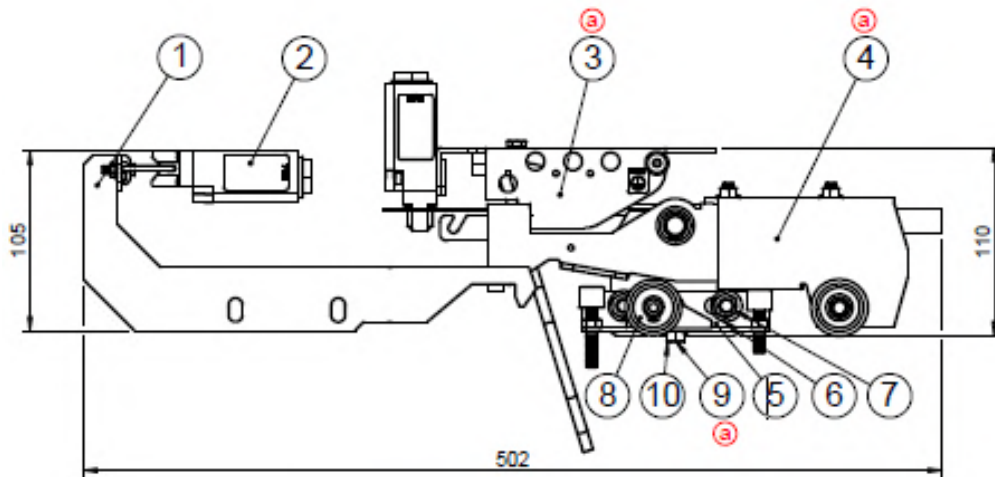


Annex 1h. 210/10/40 PA T

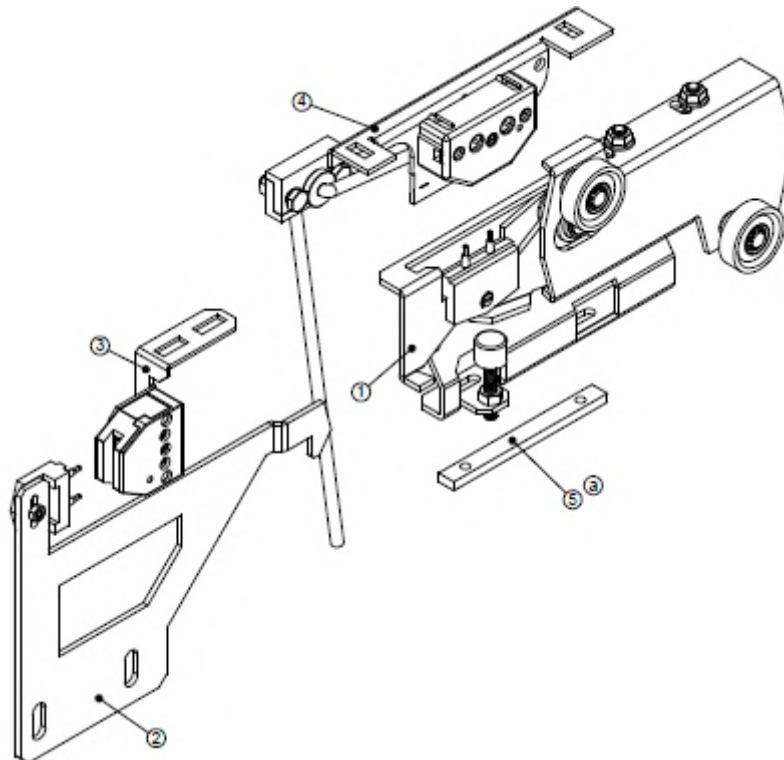


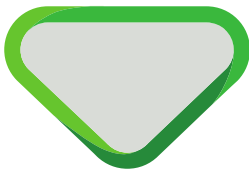


Annex 1i. 210/10/40 PA IP54 C Bernstein



Annex 1j. 210/10/40 SL C

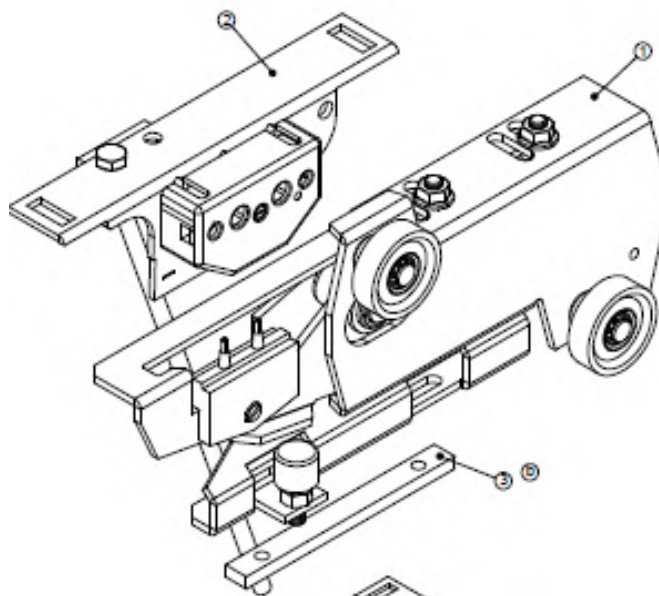




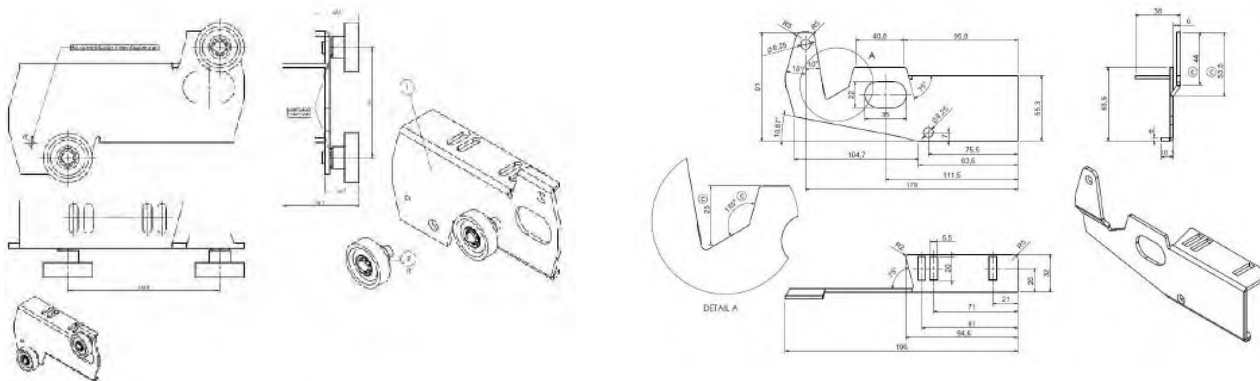
liftinstituut
SINCE 1933

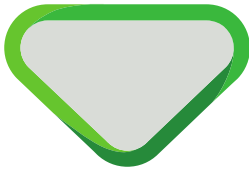


Annex 1k. 210/10/40 SL T

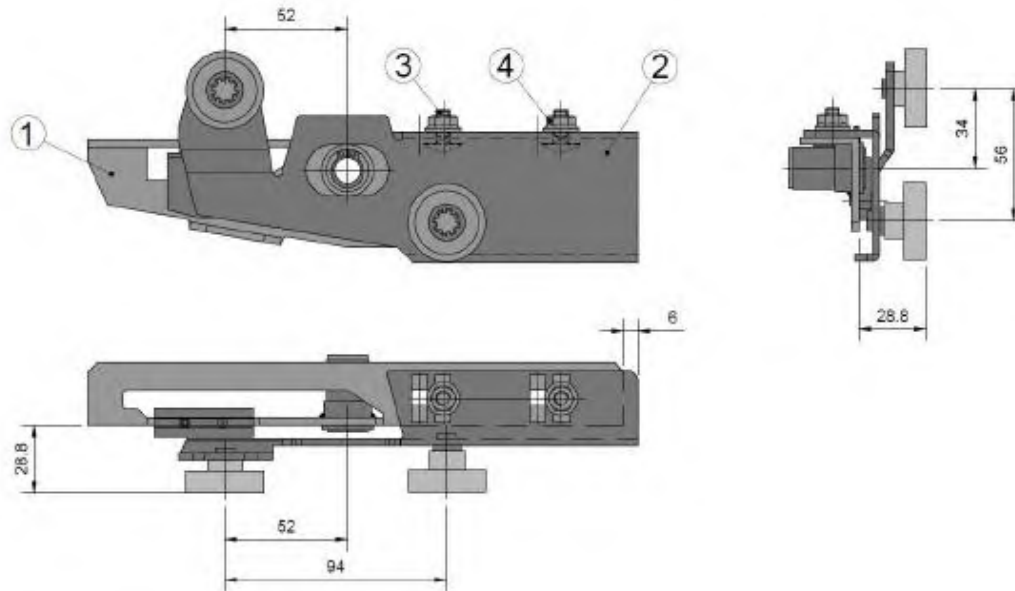


Annex 1l. 210/10/40 MO T

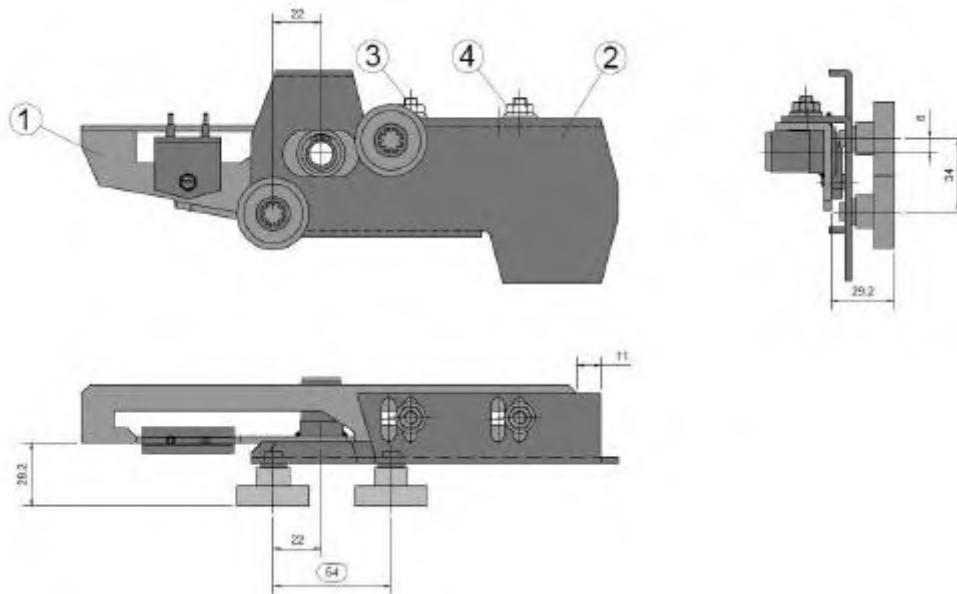


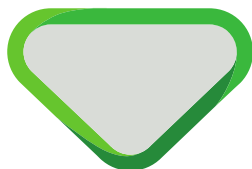


Annex 1m. 210/10/40 MO T expansive



Annex 1n. 210/10/40 MO T inverted



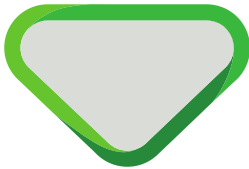


Annex 2. Documents of the Technical File which were subject of the examination

Title	document number	date	
Manual 210/10/40	MAN-MM4000000000TC	10-2020	
Manual 210/10/40 Slim	MM400SL00000TC	03-2016	
Instructions panoramic	R5T229	09-01-2012	
Standard C	00.009757.00 rev.g	11-04-2013	
Standard T	00.009460.00 rev.e	10-07-2012	
Standard IPX3	002415.00	03-09-2020	
Standard IPX3 C	00.002424.00	03-09-2020	
Standard IPX3 T	00.002412.00	03-09-2020	
Standard IP54 T	00.013436.00 rev b	15-11-2016	
Panoramic C	00.011761.00 rev a	24-02-2012	
Panoramic T	00.011763.00 rev e	30-08-2012	
Panoramic IP54 C	00.018819.00	01-03-2016	
Slim C	00.014083.00 rev a	16-02-2012	
Slim T	00.014081.00 rev b	16-02-2012	
Modernization lock 3	00.036334.00	09-06-2020	
Modernization lock 4	00.036389.00	17-01-2019	
Modernization lock 5	00.036414.00	10-01-2019	
Test report	161005	23-03-2016	
Summary test report /54	13/13521	16-01-2014	
Summary test report /PA	2013/01891	21-03-2013	
Summary test report /SL	2014/16103-201402392	09-03-2015	
Landing locking device electrical test	DOC-TC.IE.DT.016047.EN	12-04-2016	
Test report	DOC-FE.PM.RP.190901.EN	26-10-2020	
Summary of tests 210/10/40/ST	DOC-FE.PM.RP.200905.EN	18-03-2020	
Annex Module H certificates	Tecnolama, S.A (Spain)	ES025684-1035	06-09-2020
	Tecno Doors Pvt. Ltd. (India)	ES017451-1035	28-07-2021
	Tecnodoors S.p.A. (Italy)	ES079529-1035	06-03-2020
	Enginova Sp. z o.o. (Poland)	ES050719-1035	30-08-2019
	Ningbo Arttec Co.Ltd.(China)	ES025621-1035	03-07-2019

Annex 3. Reviewed deviations from the standards

EN xx-x par.	Requirement	Accepted design
X.X.X		



Annex 4. Revision of the certificate and its report

Rev.:	Date	Summary of revision
-	21-07-2016	Original
1	10-04-2018	Change in address Manufacturer
2	20-09-2021	Textual changes. Remove RE (reinforced) model. Introduce MO (Modernization) model. Change of electrical contacts. Updated version of technical file documents. Minor design modification. Renewal of certification.