



ct-03.01.903

Nr.: TÜV-A-AT-1/09/048 CETV

TÜV
AUSTRIA

EG-Baumusterprüfbescheinigung
gemäß Richtlinie 95/16/EG (Aufzüge)
Certificate of EC-type examination
according to the Directive 95/16/EC (Lifts)

Name der zugelassenen Stelle
Name of the approved body

TÜV Austria Services GmbH
Krugerstraße 16
A-1015 Wien
ID-Nr.: 0408

Nummer der Baumusterprüfung
Type-examination No

TÜV-A-AT-1/09/048 CETV

1. Art, Kategorie, Typ und Fabrik- oder Handelsmarke
Category, type and make or trade name

Verriegelungseinrichtung für waagrecht bewegte Schacht-Schiebetüren
Locking device for horizontally sliding landing doors

Type: AMDL2-R5

2. Name und Anschrift des Herstellers des geprüften Sicherheitsbauteils / der geprüften Sicherheitsbauteile
Manufacturer's name and address of the tested safety component(s)

WITTUR GesmbH
Sowitschstrasse 1
A-3270 Scheibbs
AUSTRIA

3. Name und Anschrift des Inhabers der Bescheinigung
Name and address of certificate holder

KONE Corporation
Kartanontie 1
FIN-00330 Helsinki
FINLAND

4. Zur EG-Baumusterprüfung vorgelegt am
Date of submission for EC type examination

28.09.2009

5. Aufgrund folgender Vorschrift ausgestellte Bescheinigung
Certificate issued on the basis of the following requirement:

Aufzüge-Sicherheitsverordnung 2008 - ASV 2008
Richtlinie 95/16 EG

Auszugsweise Vervielfältigung nur mit Genehmigung der TÜV AUSTRIA SERVICES GMBH gestattet
The duplication of this document in parts is subject to the approval TÜV AUSTRIA SERVICES GMBH

6. Prüfstelle
Test laboratory

TÜV Austria Services GmbH
Krugerstraße 16
A-1015 Wien

7. Datum und Nummer des Prüfprotokolls
Date and number of laboratory report

2009-AT-EP/0081, 08.01.2010

8. Datum der EG-Baumusterprüfung
Date of EC type-examination

24.11.2009

9. Als Anlagen sind folgende, mit der oben angegebenen EG-Baumusterprüfungsnummer gekennzeichneten Unterlagen beigefügt
The following documents, bearing the EC type- examination number shown above are annexed to this certificate

- Zeichnung, landing top track complete, 606962 vom 16.09.2009
- Zeichnung, landing door lock for railing 1, 601882 vom 26.11.2001 (Ausgabe D)
- Zeichnung, emergency opening, 601860 vom 20.04.2009 (Ausgabe D)

10. Zusätzliche Angaben
Additional information

10.1 Art und Verwendungsbereich des Türverschlusses
Type and scope of use of the door locking device

Verriegelungseinrichtung, Typ AMDL2-R5, mit Hakenriegel für waagrecht bewegte, einseitig öffnende, zweiblättrige Schacht-Schiebetüren mit maschineller Betätigung.
Door locking device type AMDL2-R5 with lock hook for horizontally moving, side opening, two panel power operated landing sliding door.

10.2 Zulässige Türabmessungen
Allowed door dimensions

lichte Türbreite <i>door width</i>	lichte Türhöhe <i>door height</i>	max. Masse eines Türblattes <i>max. mass single door panel</i>
700 mm - 1000 mm	1900 - 2100 mm	26 kg

10.3 Nennwerte der elektrischen Sicherheitseinrichtungen
Nominal value of the electrical safety components

Wechselstrom 230 V/ 2A
Alternating current

Auszugsweise Vervielfältigung nur mit Genehmigung der TÜV AUSTRIA SERVICES GMBH gestattet
The duplication of this document in parts is subject to the approval TÜV AUSTRIA SERVICES GMBH

Gepüft

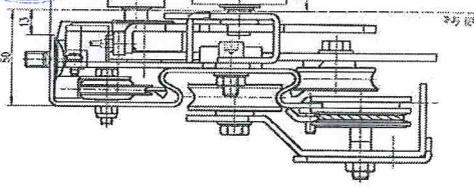
am 1.9. JAN. 2010

TUV-A-AT-1/09/048 CETV



TUV AUSTRIA SERVICES GMBH
Der Ausüßprüfer

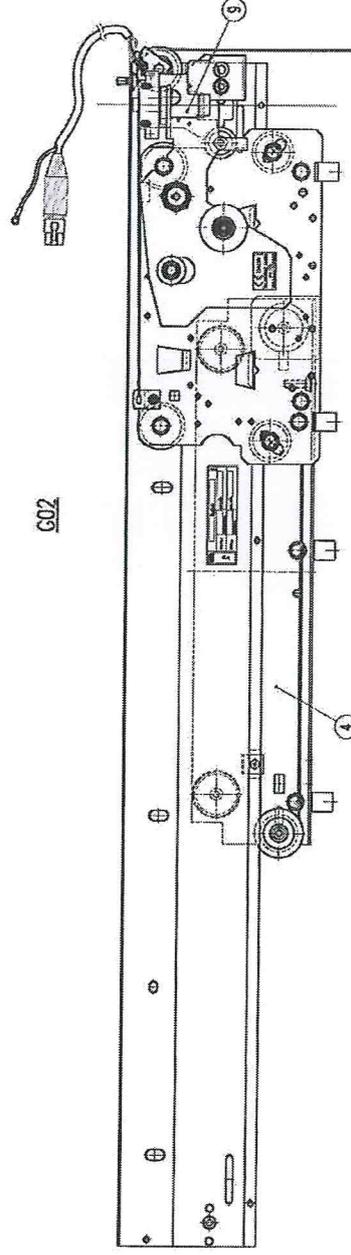
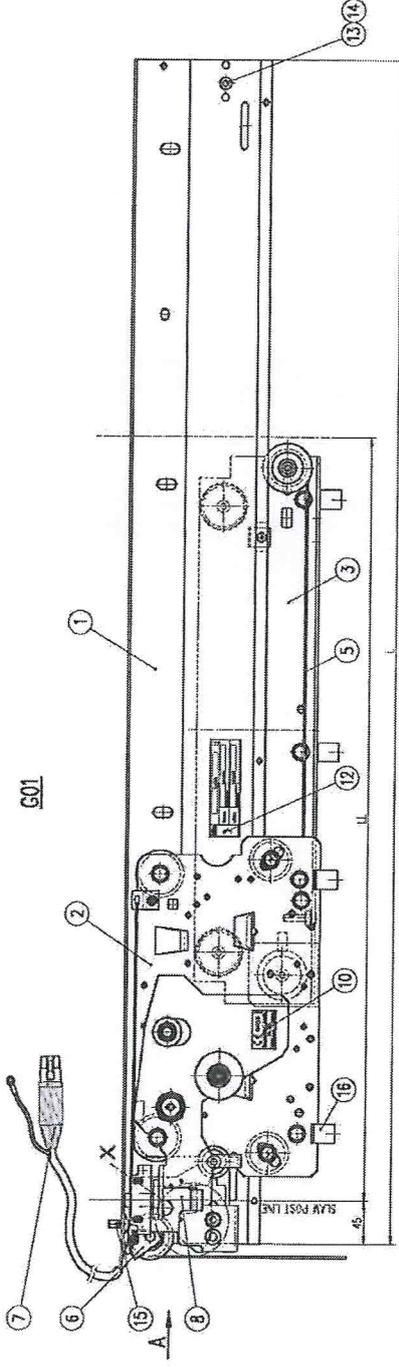
Ansicht A
view A



ORIGINAL

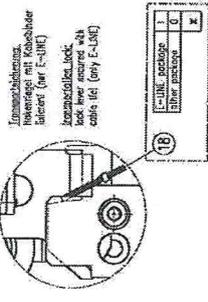
Position/Baugruppe ohne Abbildung:
position/assembly group without illustration:

1	230728	Profile in 2x L-M/50mm
2	VAR.	DOM (door opening monitoring)
3	VAR.	PANEL FIXING
4	231728	Panel, metal ser. DIMENSIONS: 80x150
5	231728	Panel, metal ser. DIMENSIONS: 80x150
6	231728	Panel, metal ser. DIMENSIONS: 80x150
7	231728	Panel, metal ser. DIMENSIONS: 80x150
8	231728	Panel, metal ser. DIMENSIONS: 80x150
9	VAR.	EMERGENCY OPENING DEVICE
10	VAR.	VAR. label
11	VAR.	VAR. label
12	VAR.	VAR. label
13	VAR.	VAR. label
14	VAR.	VAR. label
15	VAR.	VAR. label
16	VAR.	VAR. label
17	VAR.	VAR. label
18	VAR.	VAR. label
19	VAR.	VAR. label
20	VAR.	VAR. label
21	VAR.	VAR. label
22	VAR.	VAR. label
23	VAR.	VAR. label
24	VAR.	VAR. label
25	VAR.	VAR. label
26	VAR.	VAR. label
27	VAR.	VAR. label
28	VAR.	VAR. label
29	VAR.	VAR. label
30	VAR.	VAR. label
31	VAR.	VAR. label
32	VAR.	VAR. label
33	VAR.	VAR. label
34	VAR.	VAR. label
35	VAR.	VAR. label
36	VAR.	VAR. label
37	VAR.	VAR. label
38	VAR.	VAR. label
39	VAR.	VAR. label
40	VAR.	VAR. label
41	VAR.	VAR. label
42	VAR.	VAR. label
43	VAR.	VAR. label
44	VAR.	VAR. label
45	VAR.	VAR. label
46	VAR.	VAR. label
47	VAR.	VAR. label
48	VAR.	VAR. label
49	VAR.	VAR. label
50	VAR.	VAR. label
51	VAR.	VAR. label
52	VAR.	VAR. label
53	VAR.	VAR. label
54	VAR.	VAR. label
55	VAR.	VAR. label
56	VAR.	VAR. label
57	VAR.	VAR. label
58	VAR.	VAR. label
59	VAR.	VAR. label
60	VAR.	VAR. label
61	VAR.	VAR. label
62	VAR.	VAR. label
63	VAR.	VAR. label
64	VAR.	VAR. label
65	VAR.	VAR. label
66	VAR.	VAR. label
67	VAR.	VAR. label
68	VAR.	VAR. label
69	VAR.	VAR. label
70	VAR.	VAR. label
71	VAR.	VAR. label
72	VAR.	VAR. label
73	VAR.	VAR. label
74	VAR.	VAR. label
75	VAR.	VAR. label
76	VAR.	VAR. label
77	VAR.	VAR. label
78	VAR.	VAR. label
79	VAR.	VAR. label
80	VAR.	VAR. label
81	VAR.	VAR. label
82	VAR.	VAR. label
83	VAR.	VAR. label
84	VAR.	VAR. label
85	VAR.	VAR. label
86	VAR.	VAR. label
87	VAR.	VAR. label
88	VAR.	VAR. label
89	VAR.	VAR. label
90	VAR.	VAR. label
91	VAR.	VAR. label
92	VAR.	VAR. label
93	VAR.	VAR. label
94	VAR.	VAR. label
95	VAR.	VAR. label
96	VAR.	VAR. label
97	VAR.	VAR. label
98	VAR.	VAR. label
99	VAR.	VAR. label
100	VAR.	VAR. label



door spring	"C2"	601859 G03
closing weight	"G1"	601855 G01
VAR. CLOSING DEVICE		
L	605025 G02	
panel interface:	VAR. PANEL FIXING	
NO	"N"	
Frameless		601860 G06 *
Frame 1 / front 1		601860 G07 *
Frame-steps		601860 G06
Frame-fire rated		601860 G02
Initial-standard		601860 G01
VAR. EMERG. OPENING DEVICE		

Standard	NO	89723 G01
D	89723 G01	89723 G01
VAR. DOOR CONTACT CABLE		
NO	standard	89723 G01
VAR. DOOR CONTACT CABLE		



NO	standard	89723 G01
VAR. DOOR CONTACT CABLE		
NO	standard	89723 G01
VAR. DOOR CONTACT CABLE		
NO	standard	89723 G01
VAR. DOOR CONTACT CABLE		

NO	standard	89723 G01
VAR. DOOR CONTACT CABLE		
NO	standard	89723 G01
VAR. DOOR CONTACT CABLE		

NO	standard	89723 G01
VAR. DOOR CONTACT CABLE		
NO	standard	89723 G01
VAR. DOOR CONTACT CABLE		

NO	standard	89723 G01
VAR. DOOR CONTACT CABLE		
NO	standard	89723 G01
VAR. DOOR CONTACT CABLE		

NO	standard	89723 G01
VAR. DOOR CONTACT CABLE		
NO	standard	89723 G01
VAR. DOOR CONTACT CABLE		

NO	standard	89723 G01
VAR. DOOR CONTACT CABLE		
NO	standard	89723 G01
VAR. DOOR CONTACT CABLE		

NO	standard	89723 G01
VAR. DOOR CONTACT CABLE		
NO	standard	89723 G01
VAR. DOOR CONTACT CABLE		

NO	standard	89723 G01
VAR. DOOR CONTACT CABLE		
NO	standard	89723 G01
VAR. DOOR CONTACT CABLE		

NO	standard	89723 G01
VAR. DOOR CONTACT CABLE		
NO	standard	89723 G01
VAR. DOOR CONTACT CABLE		

NO	standard	89723 G01
VAR. DOOR CONTACT CABLE		
NO	standard	89723 G01
VAR. DOOR CONTACT CABLE		

NO	standard	89723 G01
VAR. DOOR CONTACT CABLE		
NO	standard	89723 G01
VAR. DOOR CONTACT CABLE		

NO	standard	89723 G01
VAR. DOOR CONTACT CABLE		
NO	standard	89723 G01
VAR. DOOR CONTACT CABLE		

NO	standard	89723 G01
VAR. DOOR CONTACT CABLE		
NO	standard	89723 G01
VAR. DOOR CONTACT CABLE		

NO	standard	89723 G01
VAR. DOOR CONTACT CABLE		
NO	standard	89723 G01
VAR. DOOR CONTACT CABLE		

NO	standard	89723 G01
VAR. DOOR CONTACT CABLE		
NO	standard	89723 G01
VAR. DOOR CONTACT CABLE		

NO	standard	89723 G01
VAR. DOOR CONTACT CABLE		
NO	standard	89723 G01
VAR. DOOR CONTACT CABLE		

NO	standard	89723 G01
VAR. DOOR CONTACT CABLE		
NO	standard	89723 G01
VAR. DOOR CONTACT CABLE		

NO	standard	89723 G01
VAR. DOOR CONTACT CABLE		
NO	standard	89723 G01
VAR. DOOR CONTACT CABLE		

NO	standard	89723 G01
VAR. DOOR CONTACT CABLE		
NO	standard	89723 G01
VAR. DOOR CONTACT CABLE		

NO	standard	89723 G01
VAR. DOOR CONTACT CABLE		
NO	standard	89723 G01
VAR. DOOR CONTACT CABLE		

NO	standard	89723 G01
VAR. DOOR CONTACT CABLE		
NO	standard	89723 G01
VAR. DOOR CONTACT CABLE		

NO	standard	89723 G01
VAR. DOOR CONTACT CABLE		
NO	standard	89723 G01
VAR. DOOR CONTACT CABLE		

NO	standard	89723 G01
VAR. DOOR CONTACT CABLE		
NO	standard	89723 G01
VAR. DOOR CONTACT CABLE		

NO	standard	89723 G01
VAR. DOOR CONTACT CABLE		
NO	standard	89723 G01
VAR. DOOR CONTACT CABLE		

NO	standard	89723 G01
VAR. DOOR CONTACT CABLE		
NO	standard	89723 G01
VAR. DOOR CONTACT CABLE		

NO	standard	89723 G01
VAR. DOOR CONTACT CABLE		
NO	standard	89723 G01
VAR. DOOR CONTACT CABLE		

NO	standard	89723 G01
VAR. DOOR CONTACT CABLE		
NO	standard	89723 G01
VAR. DOOR CONTACT CABLE		

NO	standard	89723 G01
VAR. DOOR CONTACT CABLE		
NO	standard	89723 G01
VAR. DOOR CONTACT CABLE		

NO	standard	89723 G01
VAR. DOOR CONTACT CABLE		
NO	standard	89723 G01
VAR. DOOR CONTACT CABLE		

NO	standard	89723 G01
VAR. DOOR CONTACT CABLE		
NO	standard	89723 G01
VAR. DOOR CONTACT CABLE		

NO	standard	89723 G01
VAR. DOOR CONTACT CABLE		
NO	standard	89723 G01
VAR. DOOR CONTACT CABLE		

NO	standard	89723 G01
VAR. DOOR CONTACT CABLE		
NO	standard	89723 G01
VAR. DOOR CONTACT CABLE		

NO	standard	89723 G01
VAR. DOOR CONTACT CABLE		
NO	standard	89723 G01
VAR. DOOR CONTACT CABLE		

NO	standard	89723 G01
VAR. DOOR CONTACT CABLE		
NO	standard	89723 G01
VAR. DOOR CONTACT CABLE		

NO	standard	89723 G01
VAR. DOOR CONTACT CABLE		
NO	standard	89723 G01
VAR. DOOR CONTACT CABLE		

NO	standard	89723 G01
VAR. DOOR CONTACT CABLE		
NO	standard	89723 G01
VAR. DOOR CONTACT CABLE		

NO	standard	89723 G01
VAR. DOOR CONTACT CABLE		
NO	standard	89723 G01
VAR. DOOR CONTACT CABLE		

NO	standard	89723 G01
VAR. DOOR CONTACT CABLE		
NO	standard	89723 G01
VAR. DOOR CONTACT CABLE		

NO	standard	89723 G01
VAR. DOOR CONTACT CABLE		
NO	standard	89723 G01
VAR. DOOR CONTACT CABLE		

NO	standard	89723 G01
VAR. DOOR CONTACT CABLE		
NO	standard	89723 G01
VAR. DOOR CONTACT CABLE		

NO	standard	89723 G01
VAR. DOOR CONTACT CABLE		
NO	standard	89723 G01
VAR. DOOR CONTACT CABLE		

NO	standard	89723 G01
VAR. DOOR CONTACT CABLE		
NO	standard	89723 G01
VAR. DOOR CONTACT CABLE		

NO	standard	89723 G01
VAR. DOOR CONTACT CABLE		
NO	standard	89723 G01
VAR. DOOR CONTACT CABLE		

NO	standard	89723 G01
VAR. DOOR CONTACT CABLE		
NO	standard	89723 G01
VAR. DOOR CONTACT CABLE		

NO	standard	89723 G01
VAR. DOOR CONTACT CABLE		
NO	standard	89723 G01
VAR. DOOR CONTACT CABLE		

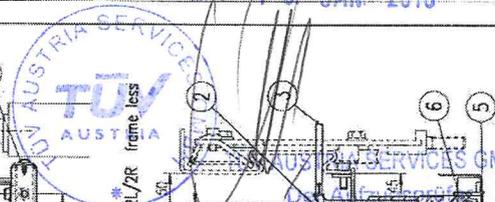
NO	standard	89723 G01
VAR. DOOR CONTACT CABLE		
NO	standard	89723 G01
VAR. DOOR CONTACT CABLE		

NO	standard	89723 G01
VAR. DOOR CONTACT CABLE		
NO	standard	89723 G01
VAR. DOOR CONTACT CABLE		

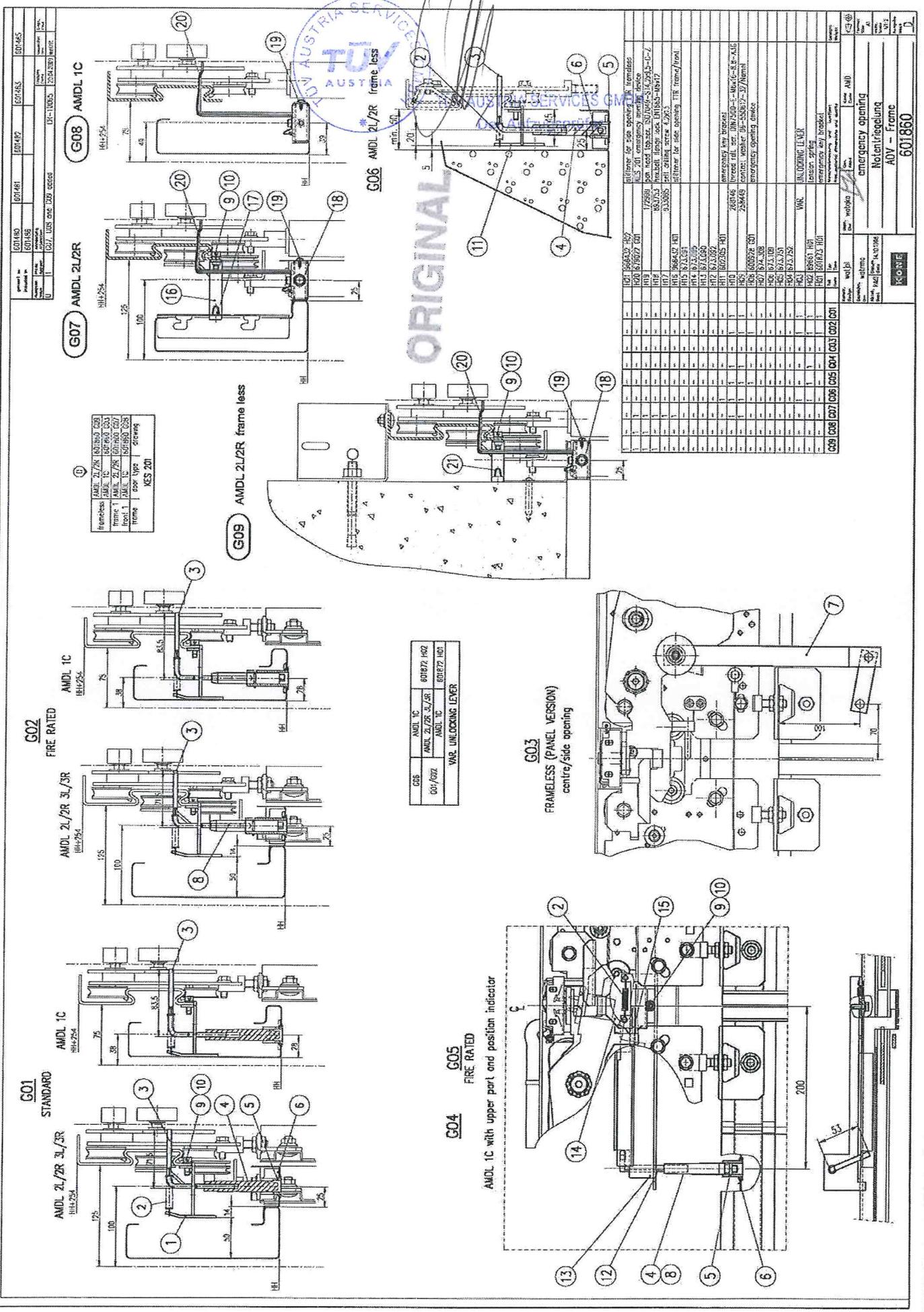
NO	standard	89723 G01
VAR. DOOR CONTACT CABLE		
NO	standard	89723 G01
VAR. DOOR CONTACT CABLE		

NO	standard	89723 G01
VAR. DOOR CONTACT CABLE		
NO	standard	89723 G01
VAR. DOOR CONTACT CABLE		

NO	standard	89723 G01
VAR. DOOR CONTACT CABLE		
NO		



ORIGINAL



AMD 2L/2R	801870 102
AMD 1C	801871 102
AMD 2L/2R 3L/3R	801872 102
AMD 1C	801873 102
AMD 2L/2R 3L/3R	801874 102
AMD 1C	801875 102
AMD 2L/2R 3L/3R	801876 102
AMD 1C	801877 102
AMD 2L/2R 3L/3R	801878 102
AMD 1C	801879 102
AMD 2L/2R 3L/3R	801880 102
AMD 1C	801881 102
AMD 2L/2R 3L/3R	801882 102
AMD 1C	801883 102
AMD 2L/2R 3L/3R	801884 102
AMD 1C	801885 102
AMD 2L/2R 3L/3R	801886 102
AMD 1C	801887 102
AMD 2L/2R 3L/3R	801888 102
AMD 1C	801889 102
AMD 2L/2R 3L/3R	801890 102
AMD 1C	801891 102
AMD 2L/2R 3L/3R	801892 102
AMD 1C	801893 102
AMD 2L/2R 3L/3R	801894 102
AMD 1C	801895 102
AMD 2L/2R 3L/3R	801896 102
AMD 1C	801897 102
AMD 2L/2R 3L/3R	801898 102
AMD 1C	801899 102
AMD 2L/2R 3L/3R	801900 102
AMD 1C	801901 102
AMD 2L/2R 3L/3R	801902 102
AMD 1C	801903 102
AMD 2L/2R 3L/3R	801904 102
AMD 1C	801905 102
AMD 2L/2R 3L/3R	801906 102
AMD 1C	801907 102
AMD 2L/2R 3L/3R	801908 102
AMD 1C	801909 102
AMD 2L/2R 3L/3R	801910 102
AMD 1C	801911 102
AMD 2L/2R 3L/3R	801912 102
AMD 1C	801913 102
AMD 2L/2R 3L/3R	801914 102
AMD 1C	801915 102
AMD 2L/2R 3L/3R	801916 102
AMD 1C	801917 102
AMD 2L/2R 3L/3R	801918 102
AMD 1C	801919 102
AMD 2L/2R 3L/3R	801920 102
AMD 1C	801921 102
AMD 2L/2R 3L/3R	801922 102
AMD 1C	801923 102
AMD 2L/2R 3L/3R	801924 102
AMD 1C	801925 102
AMD 2L/2R 3L/3R	801926 102
AMD 1C	801927 102
AMD 2L/2R 3L/3R	801928 102
AMD 1C	801929 102
AMD 2L/2R 3L/3R	801930 102
AMD 1C	801931 102
AMD 2L/2R 3L/3R	801932 102
AMD 1C	801933 102
AMD 2L/2R 3L/3R	801934 102
AMD 1C	801935 102
AMD 2L/2R 3L/3R	801936 102
AMD 1C	801937 102
AMD 2L/2R 3L/3R	801938 102
AMD 1C	801939 102
AMD 2L/2R 3L/3R	801940 102
AMD 1C	801941 102
AMD 2L/2R 3L/3R	801942 102
AMD 1C	801943 102
AMD 2L/2R 3L/3R	801944 102
AMD 1C	801945 102
AMD 2L/2R 3L/3R	801946 102
AMD 1C	801947 102
AMD 2L/2R 3L/3R	801948 102
AMD 1C	801949 102
AMD 2L/2R 3L/3R	801950 102
AMD 1C	801951 102
AMD 2L/2R 3L/3R	801952 102
AMD 1C	801953 102
AMD 2L/2R 3L/3R	801954 102
AMD 1C	801955 102
AMD 2L/2R 3L/3R	801956 102
AMD 1C	801957 102
AMD 2L/2R 3L/3R	801958 102
AMD 1C	801959 102
AMD 2L/2R 3L/3R	801960 102
AMD 1C	801961 102
AMD 2L/2R 3L/3R	801962 102
AMD 1C	801963 102
AMD 2L/2R 3L/3R	801964 102
AMD 1C	801965 102
AMD 2L/2R 3L/3R	801966 102
AMD 1C	801967 102
AMD 2L/2R 3L/3R	801968 102
AMD 1C	801969 102
AMD 2L/2R 3L/3R	801970 102
AMD 1C	801971 102
AMD 2L/2R 3L/3R	801972 102
AMD 1C	801973 102
AMD 2L/2R 3L/3R	801974 102
AMD 1C	801975 102
AMD 2L/2R 3L/3R	801976 102
AMD 1C	801977 102
AMD 2L/2R 3L/3R	801978 102
AMD 1C	801979 102
AMD 2L/2R 3L/3R	801980 102
AMD 1C	801981 102
AMD 2L/2R 3L/3R	801982 102
AMD 1C	801983 102
AMD 2L/2R 3L/3R	801984 102
AMD 1C	801985 102
AMD 2L/2R 3L/3R	801986 102
AMD 1C	801987 102
AMD 2L/2R 3L/3R	801988 102
AMD 1C	801989 102
AMD 2L/2R 3L/3R	801990 102
AMD 1C	801991 102
AMD 2L/2R 3L/3R	801992 102
AMD 1C	801993 102
AMD 2L/2R 3L/3R	801994 102
AMD 1C	801995 102
AMD 2L/2R 3L/3R	801996 102
AMD 1C	801997 102
AMD 2L/2R 3L/3R	801998 102
AMD 1C	801999 102
AMD 2L/2R 3L/3R	802000 102

Code	Material	Part Name	Quantity	Notes
G01	1001	Body	1	
G01	1002	Handle	1	
G01	1003	Nozzle	1	
G01	1004	Indicator	1	
G01	1005	Seal	1	
G01	1006	Pin	1	
G01	1007	Spring	1	
G01	1008	Washer	1	
G01	1009	Nut	1	
G01	1010	Bracket	1	
G01	1011	Pin	1	
G01	1012	Seal	1	
G01	1013	Pin	1	
G01	1014	Seal	1	
G01	1015	Pin	1	
G01	1016	Seal	1	
G01	1017	Pin	1	
G01	1018	Seal	1	
G01	1019	Pin	1	
G01	1020	Seal	1	
G01	1021	Pin	1	
G01	1022	Seal	1	
G01	1023	Pin	1	
G01	1024	Seal	1	
G01	1025	Pin	1	
G01	1026	Seal	1	
G01	1027	Pin	1	
G01	1028	Seal	1	
G01	1029	Pin	1	
G01	1030	Seal	1	
G01	1031	Pin	1	
G01	1032	Seal	1	
G01	1033	Pin	1	
G01	1034	Seal	1	
G01	1035	Pin	1	
G01	1036	Seal	1	
G01	1037	Pin	1	
G01	1038	Seal	1	
G01	1039	Pin	1	
G01	1040	Seal	1	
G01	1041	Pin	1	
G01	1042	Seal	1	
G01	1043	Pin	1	
G01	1044	Seal	1	
G01	1045	Pin	1	
G01	1046	Seal	1	
G01	1047	Pin	1	
G01	1048	Seal	1	
G01	1049	Pin	1	
G01	1050	Seal	1	
G01	1051	Pin	1	
G01	1052	Seal	1	
G01	1053	Pin	1	
G01	1054	Seal	1	
G01	1055	Pin	1	
G01	1056	Seal	1	
G01	1057	Pin	1	
G01	1058	Seal	1	
G01	1059	Pin	1	
G01	1060	Seal	1	
G01	1061	Pin	1	
G01	1062	Seal	1	
G01	1063	Pin	1	
G01	1064	Seal	1	
G01	1065	Pin	1	
G01	1066	Seal	1	
G01	1067	Pin	1	
G01	1068	Seal	1	
G01	1069	Pin	1	
G01	1070	Seal	1	
G01	1071	Pin	1	
G01	1072	Seal	1	
G01	1073	Pin	1	
G01	1074	Seal	1	
G01	1075	Pin	1	
G01	1076	Seal	1	
G01	1077	Pin	1	
G01	1078	Seal	1	
G01	1079	Pin	1	
G01	1080	Seal	1	
G01	1081	Pin	1	
G01	1082	Seal	1	
G01	1083	Pin	1	
G01	1084	Seal	1	
G01	1085	Pin	1	
G01	1086	Seal	1	
G01	1087	Pin	1	
G01	1088	Seal	1	
G01	1089	Pin	1	
G01	1090	Seal	1	
G01	1091	Pin	1	
G01	1092	Seal	1	
G01	1093	Pin	1	
G01	1094	Seal	1	
G01	1095	Pin	1	
G01	1096	Seal	1	
G01	1097	Pin	1	
G01	1098	Seal	1	
G01	1099	Pin	1	
G01	1100	Seal	1	

Code	Material	Part Name	Quantity	Notes
G02	1001	Body	1	
G02	1002	Handle	1	
G02	1003	Nozzle	1	
G02	1004	Indicator	1	
G02	1005	Seal	1	
G02	1006	Pin	1	
G02	1007	Spring	1	
G02	1008	Washer	1	
G02	1009	Nut	1	
G02	1010	Bracket	1	
G02	1011	Pin	1	
G02	1012	Seal	1	
G02	1013	Pin	1	
G02	1014	Seal	1	
G02	1015	Pin	1	
G02	1016	Seal	1	
G02	1017	Pin	1	
G02	1018	Seal	1	
G02	1019	Pin	1	
G02	1020	Seal	1	
G02	1021	Pin	1	
G02	1022	Seal	1	
G02	1023	Pin	1	
G02	1024	Seal	1	
G02	1025	Pin	1	
G02	1026	Seal	1	
G02	1027	Pin	1	
G02	1028	Seal	1	
G02	1029	Pin	1	
G02	1030	Seal	1	
G02	1031	Pin	1	
G02	1032	Seal	1	
G02	1033	Pin	1	
G02	1034	Seal	1	
G02	1035	Pin	1	
G02	1036	Seal	1	
G02	1037	Pin	1	
G02	1038	Seal	1	
G02	1039	Pin	1	
G02	1040	Seal	1	
G02	1041	Pin	1	
G02	1042	Seal	1	
G02	1043	Pin	1	
G02	1044	Seal	1	
G02	1045	Pin	1	
G02	1046	Seal	1	
G02	1047	Pin	1	
G02	1048	Seal	1	
G02	1049	Pin	1	
G02	1050	Seal	1	
G02	1051	Pin	1	
G02	1052	Seal	1	
G02	1053	Pin	1	
G02	1054	Seal	1	
G02	1055	Pin		



EC DECLARATION OF CONFORMITY



THE MANUFACTURER (°)

- **WITTUR-6** WITTUR GmbH, Sowitschstraße 1, A-3270 Scheibbs
 - **WITTUR-7** WITTUR s.r.o., Priemyselná ulica 2747/7, SK-96301 Krupina
 - **WITTUR-4** WITTUR ELEVATOR COMPONENTS (Suzhou) Co. Ltd. – N° 18 Shexing Road, Beishe Town, Wujiang, Jiangsu Province, CN – 215214
(EU Mandatory: WITTUR GmbH, Sowitschstraße 1, A-3270 Scheibbs)
- (°) - see the name indicated on the Product identification label

STATES

hereby that the following safety component:

- Description: **Locking device for horizontally sliding landing doors**
- Type: **AMDL2-R5**
- Serial Number and Manufacturing Year: **see the product identification label**

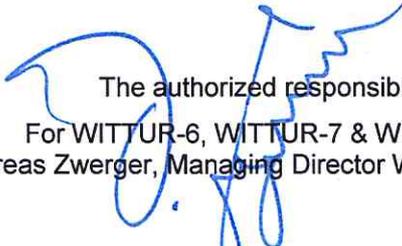
and to which this declaration refers, is manufactured

IN COMPLIANCE WITH

what follows:

Referring directives or standards	EC Type Examination Certificate		
	Number	Notified body for issuing the certificate	Notified body for manufacturing controls
<ul style="list-style-type: none"> - Directive 95/16/EC - Edition June 29, 1995 - European Standard EN 81-1: 1998 - European Standard EN 81-2: 1998 	TÜV-A-AT-1/09/048 CETV	TÜV Österreich Krugerstraße 16 A-1015 Wien, Austria ID No. 0408	WITTUR 6 & 7: TÜV Österreich Krugerstraße 16 A-1015 Wien, Austria ID No. 0408 WITTUR-4: TÜV SÜD Industrie Service GmbH Westendstraße 199, D-80686 München ID No. 0036

We also state the conformity of above said safety component with the corresponding EC Type Examination Certificate.


 The authorized responsible:
 For WITTUR-6, WITTUR-7 & WITTUR-4
 Andreas Zwerger, Managing Director WITTUR GmbH



EG-Konformitätserklärung

Der Hersteller (°)

- WITTUR-6 **WITTUR GmbH, Sowitschstraße 1, A-3270 Scheibbs**
- WITTUR-7 **WITTUR s.r.o., Priemyselná ulica 2747/7, SK-96301 Krupina**
- WITTUR-4 **WITTUR ELEVATOR COMPONENTS (Suzhou) Co. Ltd. – N° 18 Shexing Road,
Beishe Town, Wujiang, Jiangsu Province, CN – 215214**
(EU-Mandatory: WITTUR GmbH, Sowitschstraße 1, A-3270 Scheibbs)

(°) – Hersteller siehe Kurzbeschreibung auf Typenschild

ERKLÄRT

hiermit, dass das unten angegebene Sicherheitsbauteil:

- Beschreibung: **Verriegelungseinrichtung für horizontal öffnende Schachttüren**
- Typ: **AMDL2-R5**
- Seriennummer und
Herstellungsjahr: **siehe Typenschild auf dem Produkt**

auf das sich diese Konformitätserklärung bezieht

KONFORM

zu folgenden:

Angewandte Normen und Richtlinien	EG-Baumusterprüfbescheinigung		
	Nummer	Benannte Stelle für die Ausstellung des Zertifikats	Benannte Stelle für die Produktionskontrolle
<ul style="list-style-type: none">- Aufzugsrichtlinie 95/16/EG vom 29. Juni 1995- Europäische Norm EN 81-1: 1998- Europäische Norm EN81-2: 1998	TÜV-A-AT- 1/09/048 CETV	TÜV Österreich Krugerstraße 16 A-1015 Wien, Österreich ID Nr. 0408	WITTUR 6&7: TÜV Österreich Krugerstraße 16 A-1015 Wien, Österreich ID Nr. 0408 WITTUR-4: TÜV SÜD Industrie Service GmbH Westendstraße 199, D-80686 München ID Nr. 0036

Wir erklären außerdem die Konformität des oben genannten Sicherheitsbauteils mit der ausgestellten EG-Baumusterprüfbescheinigung.

Der berechtigte Unterzeichner:

Für WITTUR-6, WITTUR-7 & WITTUR-4

Andreas Zwerger, Managing Director WITTUR GmbH

Scheibbs, 19. Oktober 2011