



Industrie Service

EU TYPE-EXAMINATION CERTIFICATE

According to Annex IV, Part A of 2014/33/EU Directive

Certificate No.:	EU-SG 717
Certification Body of the Notified Body:	TÜV SÜD Industrie Service GmbH Westendstr. 199 80686 Munich – Germany Identification No. 0036
Certificate Holder:	INVENTIO AG Seestrasse 55 6052 Hergiswil – Switzerland
Manufacturer of the Test Sample: <small>(Manufacturer of Serial Production – see Enclosure)</small>	Schindler Drive Systems Poligono „Empresarium“ Albardin, 58 50720 La Cartuja Baja - Zaragoza – Spain
Product:	Progressive safety gear
Type:	SA SGC 02 ID – Nr.: 59306050
Directive:	2014/33/EU
Reference Standards:	EN 81-20:2014 EN 81-50:2014
Test Report:	EU-SG 717 of 2017-05-31
Outcome:	The safety component conforms to the essential health and safety requirements of the mentioned Directive as long as the requirements of the annex of this certificate are kept.
Date of Issue:	2017-12-04

Achim Janocha
Certification Body “lifts and cranes”



**Annex to the EC Type-Examination Certificate
No. EU-SG 717 of 2017-12-04**



Industrie Service

1 Scope of application

1.1 Guide rails to be used

Manufacture of the guide rail running surface	machined
Condition of guide rail running surface (* or slightly oiled as corrosion prevention)	dry*
Minimum running surface width	42 mm
Blade width	15,88 – 31,75 mm

1.2 Permissible total mass of car and rated load or counterweight in using one pair of safety gears depends on tripping speed of the overspeed governor

tripping speed (m/s)	total mass (kg) min. - max.
0,72	4594 – 14111
12,95	4196 - 11642

For the intermediate values of the tripping speed of 0.72 - 12.95 m/s the corresponding maximum total mass can be determined through linear interpolation in the range of 4594 - 4196 kg and 14111 - 11642 kg.

1.3 Maximum tripping speed of overspeed governor and maximum rated speed

Maximum tripping speed	0.72 - 12.95 m/s
Maximum rated speed	0.63 – 11.26 m/s

2 Terms and Conditions

- 2.1 The identification drawing No. M_ _ 41306050 including stamp dated 2015-08-07 shall be included to the EU type-examination for the identification and information of the general construction and operation and distinctness of the approved type.
- 2.2 The EU type-examination certificate may only be used in combination with the corresponding annex and enclosure (List of authorized manufacturer of the serial production). The enclosure will be updated immediately after any change by the certification holder.

3 Remarks

- 3.1 Pursuant to the comment standard EN 81-50, the total mass determined for adjustment purposes may be 7.5 % higher or lower.
- 3.2 The progressive safety gear can also be used to a counterweight in compliance with the permissible total mass according point 1.2 of this certificate till permissible tripping speed.
- 3.3 This EU type-examination certificate was issued according to the following standards:
- EN 81-20:2014 (D), part 5.6.2.1.1.2
 - EN 81-50:2014 (D), part 5.3

A revision of this EU type-examination certificate is inevitable in case of changes or additions of the above mentioned standards or of changes of state of the art.

**Enclosure to the EU Type-Examination Certificate
No. EU-SG 717 of 2017-12-04**



Industrie Service

Authorised Manufacturer of Serial Production – Production Sites (valid from: 2016-11-23):

Company	Schindler Drive Systems
Address	Poligono „Empresarium“ Albardin 58 50720 La Cartuja Baja – Zaragoza – Spain

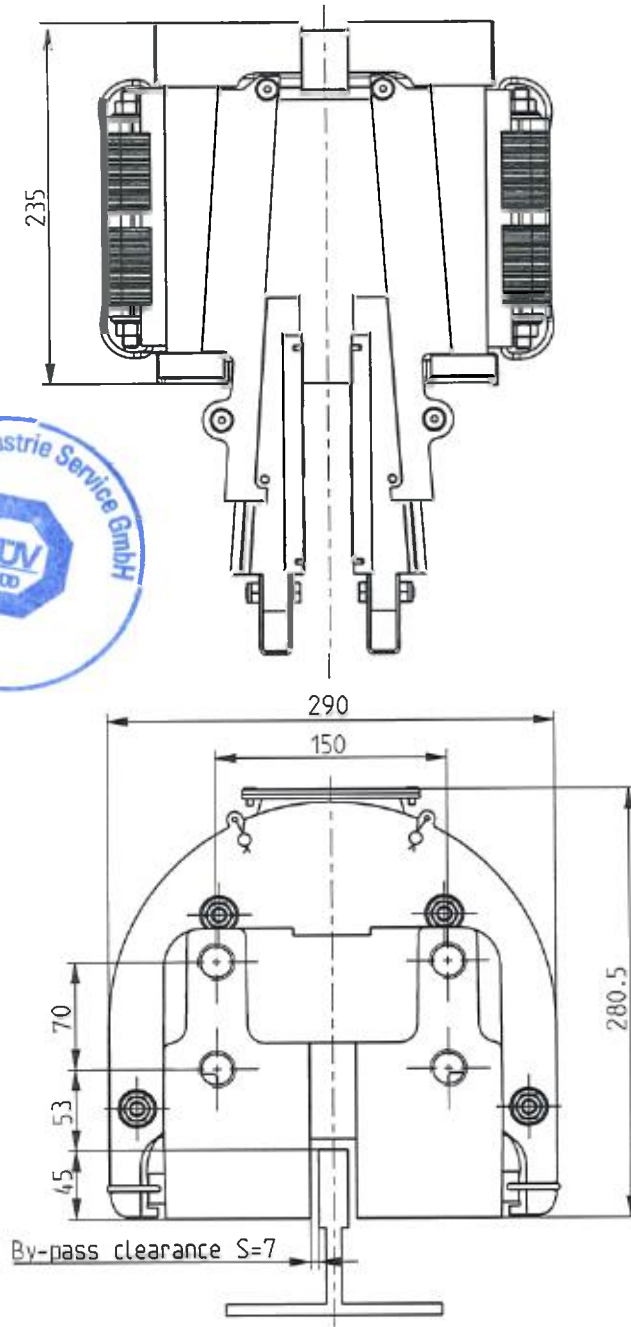
- END OF DOCUMENT -

Cet ouvrage est notre propriété intellectuelle. Sans notre autorisation écrite, il ne peut être ni copié d'une manière quelconque, ni être utilisé pour la fabrication, ni non plus être communiqué à des tiers.

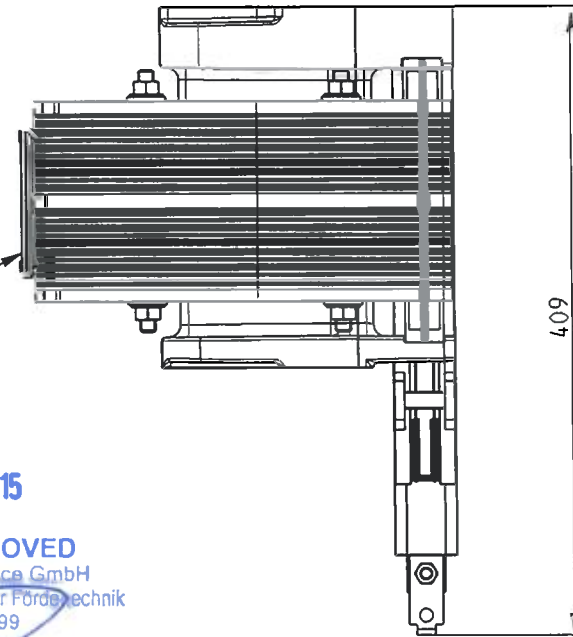
Diese Darstellung ist unser geistiges Eigentum. Sie darf ohne unsere schriftliche Zustimmung weder irgendwie kopiert noch zur Anfertigung des Werkes gebraucht oder Dritten personen bekanntgegeben werden.

This presentation is our intellectual property. Without our written consent, it may not be copied in any way, used for manufacturing, nor communicated to third parties.

Pro/É.

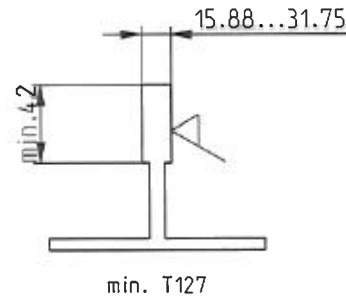


Type plate



07. AUG. 2015

GEPRÜFT / APPROVED
 TÜV SÜD Industrie Service GmbH
 Prüflaboratorium für Produkte der Fördertechnik
 Westendstraße 199
 85586 München
 Sachverständiger / Expert



59306050							72.193
Ident. No.	Semi finished product / raw material	Semi fin. Ident. No.	Item Code surface	Heat treatment	Brwg / BOM / Model		Weight Kg.
Modification			Ae5	Draw Ver.	Related BOM		
KA No.			159472	6	Related BOM		
KA Date			2015-10-17	Model Ver.	Related BOM		
				6	Release Level	Released	
GROUP: SAFETY			Remark		Date	Name	
Safety Gear SA SGC 02			Scale	Replaces /Ae:	Prepared	2015-07-30	muetteph
			3:10		Reviewed	2015-07-30	meierhda
				Page	Notus checked	2015-07-30	meierhda
				1/1	Released	2015-07-30	geissshmi
INVENTIO AG CH-6052 Hergiswil		Classification	Lead Office	M__41306050		Lang.	
		11540	EB3			EN	
		Format A3					