

EU-TYPE EXAMINATION CERTIFICATE

Issued by Liftinstituut B.V.
identification number Notified Body 0400,
commissioned by Besluit no. 2016-0000038870

Certificate no. : NL08-400-1002-100-02 Revision No. : 4

Description of the product : Progressive safety gear for cold drawn and machined guide rails with dry or lubricated surface; up, down or bi-directional

Trademark, type : Cobianchi, PC13DA / PC13DO / PC13UP / PC13GA / PC13GO and PC13GU

Name and address of the manufacturer : Cobianchi Lifteile AG
Weststrasse 16
CH-3672 Oberdiessbach, Switzerland

Name and address of the certificate holder : Cobianchi Lifteile AG
Weststrasse 16
CH-3672 Oberdiessbach, Switzerland

Certificate issued on the following requirements : Lifts Directive 2014/33/EU

Certificate based on the following standards : EN 81-20:2014, EN 81-50:2014
EN 81-1:1998 + A3:2009, EN 81-2:1998 + A3:2010

Test laboratory : Testtower Cobianchi Lifteile AG
Thun, Switzerland

Date and number of the laboratory report : November 5, 2010, Testreport NL08-400-1002-100-02

Date of EU-type examination : August 2010 – October 2010, October 2013, March 2016

Additional documents with this certificate : Annex belonging to the EU- type examination certificate no.: NL08-400-1002-100-02 Rev.4

Additional remarks : See Annex

Conclusion : The safety component meets the requirements of the Lifts Directive 2014/33/EU taking into account any additional remarks mentioned above.

Date of issue : 31-3-2016
Valid from : 20-4-2016
Valid until : 31-3-2021


ing. J.L. van Vliet
Managing Director


Certification decision by

Annex of EU type-examination certificate NL08-400-1002-100-02

Date of original certificate : 26-3-2009
 Date of revision : 31-3-2016
 Project no. : P140450-01

1. Scope

1.1 General Specifications PC13DA / PC13DO / PC13UP / PC13GA / PC13GO and PC13GU:

maximum tripping speed	: 3.5 m/s
guide rails	: Machined / Cold Drawn
guide rail thickness	: 5 – 16 mm
minimum gripping width on guide rail	: 20 mm
lubrication means (oil) of quality	: HLP-oils (DIN 51524, Part 2)

1.2 Permissible total mass for safety gear operation:

Guide rail surface	min. – max. total mass
Dry cold drawn guide rails	: 177 – 2200 kg
Oiled cold drawn guide rails	: 176 – 2200 kg
Dry machined guide rails	: 219 – 2600 kg
Oiled machined guide rails	: 268 – 2600 kg

1.3 Brake force allowed for ascending car overspeed protection:

Guide rail surface	min. – max. brake force
Dry cold drawn guide rails	: 2832 – 35200 N
Oiled cold drawn guide rails	: 2816 – 35200 N
Dry machined guide rails	: 3504 – 41600 N
Oiled machined guide rails	: 4288 – 41600 N

2. Conditions

On the EU type-examination certificate the following conditions apply:

- The safety gear and/or ascending safety device shall be adjusted according the specific load graphs related to μ -factor, bending of the housing and spring compression.
- The safety gear shall be activated by an overspeed governor fulfilling the requirements of EN 81-20 chapter 5.6.2.2.1 (e.g. max. nominal speed 2.7 m/s).
- The mass stated may differ 7.5% from the mass adjustment (EN 81-50 5.3.4).
- The braking force for the lift shall be adjusted in such a way that it will not allow a retardation of the empty car up in excess of 1 g_n during the stopping phase.
- In case of upward braking it must be assured that the construction of the guide rails is capable to withstand the forces applied.
- The maintenance instructions shall be provided with the safety component.
- The safety gear can be used as stopping element as part of a protection means against unintended car movement.
 - o The safety gear and overspeed governor combination shall ensure that the values required by EN 81-20 clause 5.6.7.5 are not exceeded.
 - o The operation distance of the safety gear is 11.5 mm maximum and the maximum tripping speed is 2.0 m/s.
 - o These values shall be verified by the installer of the complete lift.
 - o The safety gear will activate even with very low speeds.

- The safety gear can be adopted for the use on EN 81-77 compliant lifts, to comply with 5.4.2 of the EN 81-77 the safety gear shall be fitted with additional retainer on each housing to prevent accidental tripping.

3. Conclusions

Based upon the results of the EU-type examination Liftinstituut B.V. issues an EU-type examination certificate.

The EU-type examination certificate is only valid for products which are in conformity with the same specifications as the type certified product. The EU-type examination certificate is issued based on the requirements that are valid at the date of issue. In case of changes of the product specifications, changes in the requirements or changes in the state of the art, the certificate holder shall request Liftinstituut B.V. to reconsider the validity of the EU-type examination certificate.

4. CE marking and EU Declaration of conformity

Every product that is placed on the market in complete conformity with the examined type must be provided with a CE marking according to art. 18 of the Lift directive 2014/33/EU under consideration that conformity with eventually other applicable Directives is proven. Also every product must be accompanied by an EU declaration of conformity according to annex II of the Directive in which the name, address and the Notified Body identification number of Liftinstituut B.V. shall be included as well as the number of the EU type-examination certificate.

An EU-type certified safety component shall be random checked, for example according to annex IX of the Lift directive 2014/33/EU before these safety components may be CE-marked and may be placed on the market. For further information on random checking by Liftinstituut, see regulation 2.0.1 'Regulations for product certification' on www.liftinstituut.com.

Prepared by:



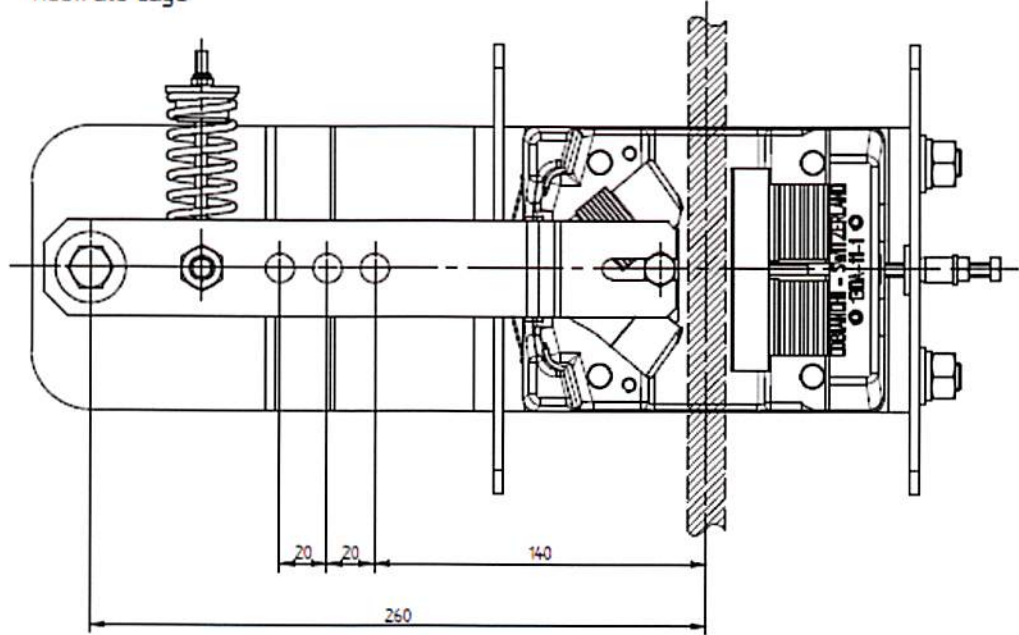
R.E. Kaspersma
Product Specialist Certification

Certification decision by:

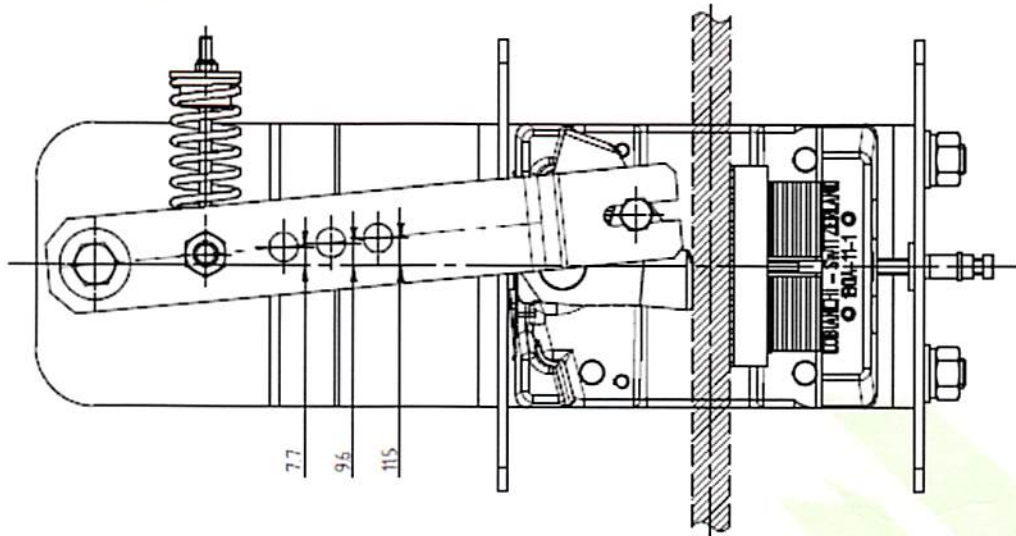


Aktivierungswege: Bremsfangvorrichtung Typ - PC13DA/D0/UP/GA/G0/GU

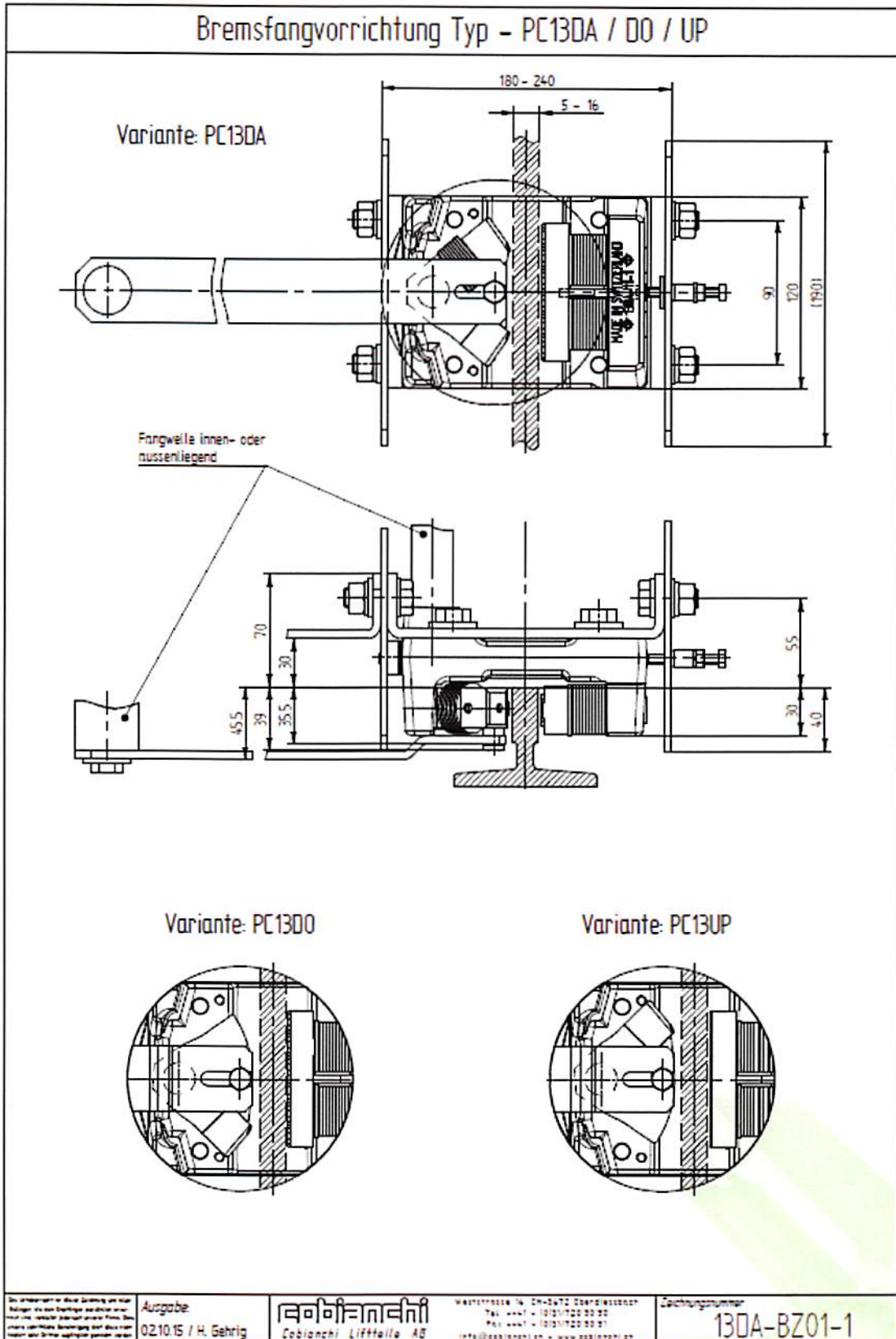
Neutrale Lage:

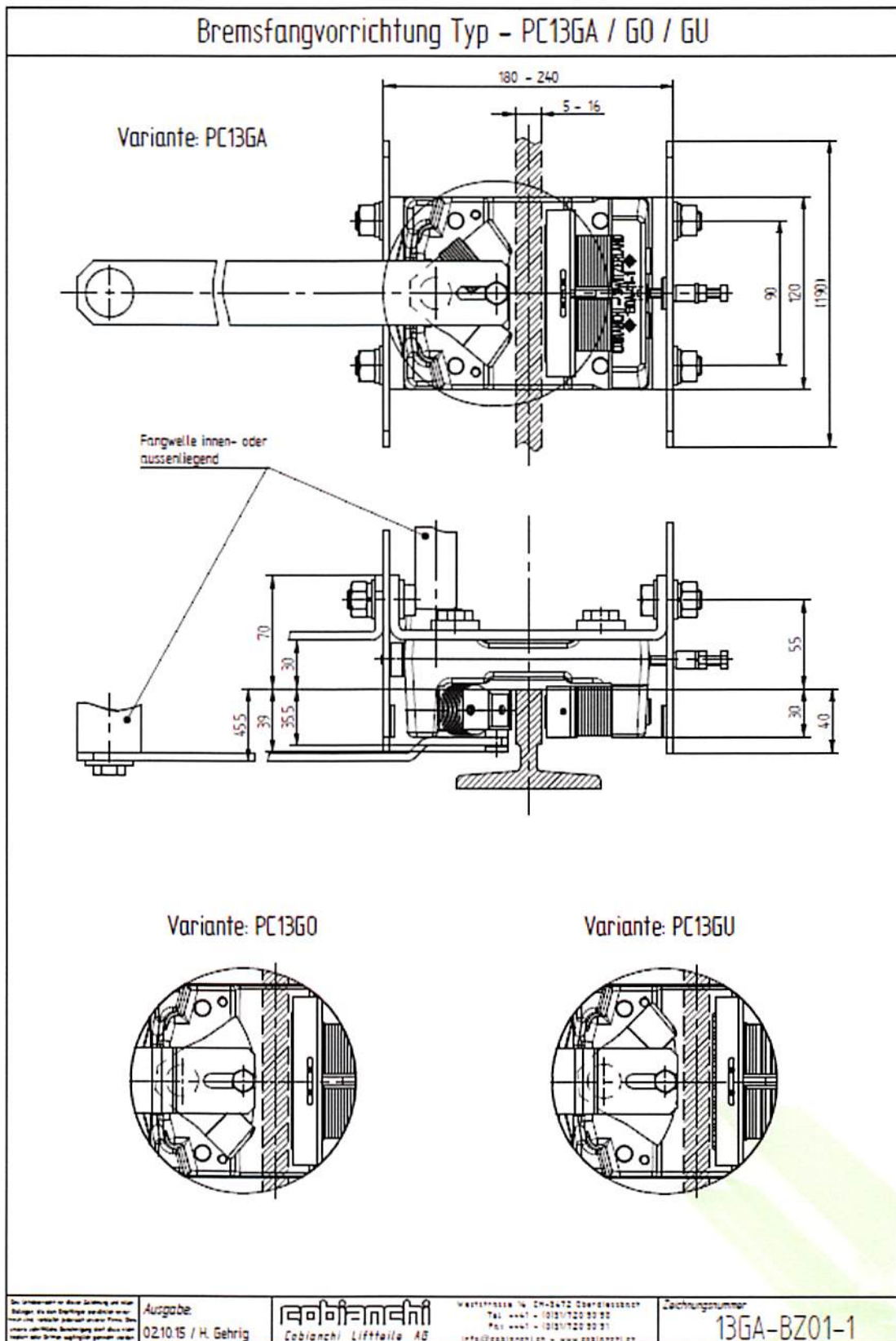


Endstellung:



Die Verantwortung für diese Zeichnung liegt beim Zeichner. Es sind Änderungen und/oder Fehler möglich. Jegliche Änderungen sind dem Zeichner schriftlich bekanntzugeben. Diese Zeichnung ist ohne Gewähr zu verwenden.	Ausgabe: 02.10.15 / H. Gehrig	 Cobianchi Liffaile AG	Weststrasse 16, CH-2622 Oberdisenbach Tel. +41 71 220 00 00 Fax +41 71 220 00 01 info@cobianchi.ch - www.cobianchi.ch	Zeichnungsnummer: 130A-BZ02-1
--	----------------------------------	--	--	----------------------------------





**REVISIONS OF THE CERTIFICATE AND ANNEX BELONGING TO THE
CERTIFICATE**

Rev.:	Date	Summary of revision
-	March 26 th , 2009	Original
1	November 5 th , 2010	New brake element
2	October 10 th , 2013	Introduction of sliding shoe
3	September 25 th , 2015	Adoption of EN 81-20/50
4	March 31 st , 2016	Update to 2014/33/EU

EU-Konformitätserklärung für Sicherheitsbauteile
EU-Declaration of conformity for safety components
Déclaration de conformité EU pour les composants de sécurité
Dichiarazione di conformità EU per i componenti di sicurezza

Hersteller / Manufacturer: Fabricant / Produttore:	Cobianchi Lifteile AG Weststrasse 16 CH-3672 Oberdiessbach
Beschreibung / Funktion: Description / Function: Préscription / Fonction: Descrizione / Funzione:	Bremsfangvorrichtung / Bremseinrichtung gegen Übergeschwindigkeit, einseitig wirkend Progressive safety gear / braking device against overspeed acting in one direction Parachute à prise amortié / dispositif de freinage contre vitesse excessive dans une sense Paracadute a presa progressivo / dispositivo di frenata contro velocità eccessivo singolo senso
Typ / Type / Type / Tipo:	PC13DO, PC13UP, PC13GO, PC13GU PC24DO, PC24UP, PC24GO, PC24GU
Seriennummer: Serial number: Numero de série: Numero di fabbricazione:	Siehe Typenschild und Gravur auf Fangkopf see typ plate and engraving on each safety head gardez plaque de fabrication et gravure vedi sulla targhetta e incisione
Baujahr / Year of manufacture: Année de construction / Anno di fabbricazione:	Siehe Typenschild / visible on type plate visible sur plaque de caractéristique / vedi targhetta
Harmonisierte Normen / Harmonized standards: Normes harmonisées / Norme armonizzate :	EN 81-20/50: 2014
Richtlinie / Directive / Directive / Direttiva:	2014 / 33 / EU
Benannte Stelle der Baumusterprüfung: Notified Body carried out EC certificate: Organisme agréé / Organismo autorizzato:	Liftinstituut B.V. Buikslotermeerplein 381 P.O. Box 36027 NL-1020 MA Amsterdam
Kennnummer / Identification number: numéro d'identification / numero di identificazione:	0400
Bescheinigung Nr. / EC certificate nr.: No. d'attestation / no. di certificato:	PC13DO, PC13UP, PC13GO, PC13GU: NL08-400-1002-100-02 Rev. 4 PC24DO, PC24UP, PC24GO, PC24GU: NL07-400-1002-100-01 Rev. 5
Q-Systemüberprüfung erfolgt durch: Quality production check / System de qualité vérifié: Organismo per controllo sistema:	TÜV-SÜD Industrie Service GmbH Westendstrasse 199 D-80686 München
Kennnummer / Identification number: numéro d'identification / numero di identificazione:	0036
Ausgabedatum / date of issue / publié / rilasciato:	Oberdiessbach, 05.04.2016
Bestätigt / Confirmed / Confirmée / Confermato:	COBIANCHI LIFTEILE AG

Zentralsekretariat
i. A. Katja Schmid

Entwicklung
i. A. Dominik Helfer