



Industrie Service

# EU TYPE-EXAMINATION CERTIFICATE

According to Annex IV, Part A of 2014/33/EU Directive

**Certificate No.:** EU-SG 456

**Certification Body of the Notified Body:** TÜV SÜD Industrie Service GmbH  
Westendstr. 199  
80686 Munich – Germany  
Identification No. 0036

**Certificate Holder:** Cobiانchi Lifteile AG  
Weststrasse 16  
3672 Oberdiessbach – Switzerland

**Manufacturer of the Test Sample:** Cobiانchi Lifteile AG  
Weststrasse 16  
3672 Oberdiessbach – Switzerland  
(Manufacturer of Serial Production – see Enclosure)

**Product:** Progressive safety

**Type:** PC 1620

**Directive:** 2014/33/EU

**Reference Standards:** EN 81-20:2014  
EN 81-50:2014  
EN 81-1:1998+A3:2009  
EN 81-2:1998+A3:2009

**Test Report:** EU-SG 456 of 2016-01-27

**Outcome:** The safety component conforms to the essential health and safety requirements of the mentioned Directive as long as the requirements of the annex of this certificate are kept.

**Date of Issue:** 2016-01-27

**Date of Validity:** from 2016-04-20

*Werner Rau*  
Werner Rau  
Certification Body "lifts and cranes"

**Annex to the EC Type-Examination Certificate  
No. EU-SG 456 of 2016-01-27**



Industrie Service

**1 Scope of application**

1.1 Guide rails to be used

Manufacture of the guide rail running surface	machined or drawn
Condition of guide rail running surface	dry or oiled*
Blade width	7 – 16 mm

Note:

\* Mineral oils without additives (e.g. lubrication oils C according DIN 51517, part 1)

1.2 Permissible total mass of car and rated load in using one pair of safety gear depending on the minimum running surface of guide rails

Minimum running surface width 32 mm	790 – 3210 kg
Minimum running surface width 20 mm	225 – 2038 kg

1.3 Maximum tripping speed of overspeed governor and maximum rated speed

Maximum tripping speed	2.50 m/s
Range of maximum rated speed	2.00 – 2.17 m/s

**2 Terms and Conditions**

2.1 The identification drawing No. 1620-BZ01-1 including stamp dated 2016-01-27 shall be included to the EU type-examination for the identification and information of the general construction and operation and distinctness of the approved type.

2.2 The EU type-examination certificate may only be used in combination with the corresponding annex and enclosure (List of authorized manufacturer of the serial production). The enclosure will be updated immediately after any change by the certification holder.

**3 Remarks**

3.1 Pursuant to the comment standard EN 81-50, the total mass determined for adjustment purposes may be 7.5 % higher or lower.

3.2 The progressive safety gear can also be used to a counterweight in compliance with the permissible total mass according point 1.2 of this certificate till permissible tripping speed.

3.3 This EU type-examination certificate was issued according to the following standards:

- EN 81-1:1998 + A3:2009 (D), Annex F.3
- EN 81-2:1998 + A3:2009 (D), Annex F.3
- EN 81-20:2014 (D), part 5.6.2.1.1.2
- EN 81-50:2014 (D), part 5.3

A revision of this EU type-examination certificate is inevitable in case of changes or additions of the above mentioned standards or of changes of state of the art.

**Enclosure to the EU Type-Examination Certificate  
No. EU-SG 456 of 2016-01-27**

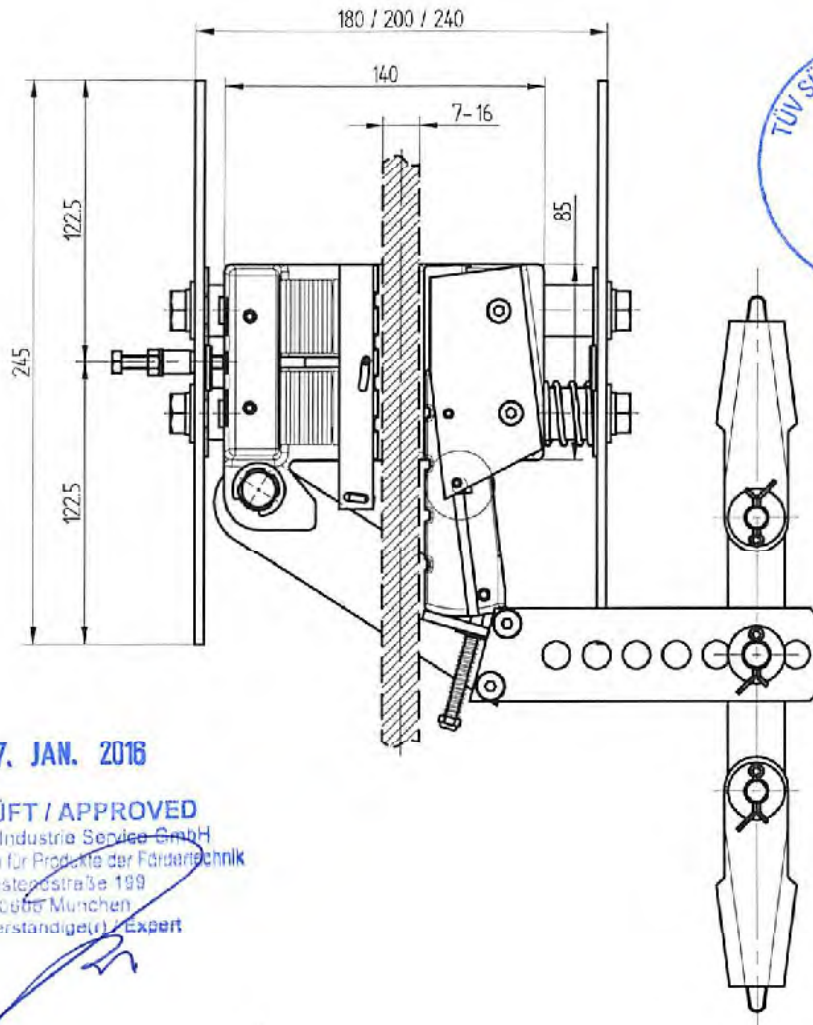


**Authorised Manufacturer of Serial Production – Production Sites (valid from: 2016-01-27):**

<b>Company</b>	Cobianchi Lifteile AG
<b>Address</b>	Weststrasse 16 3672 Oberdiessbach – Switzerland

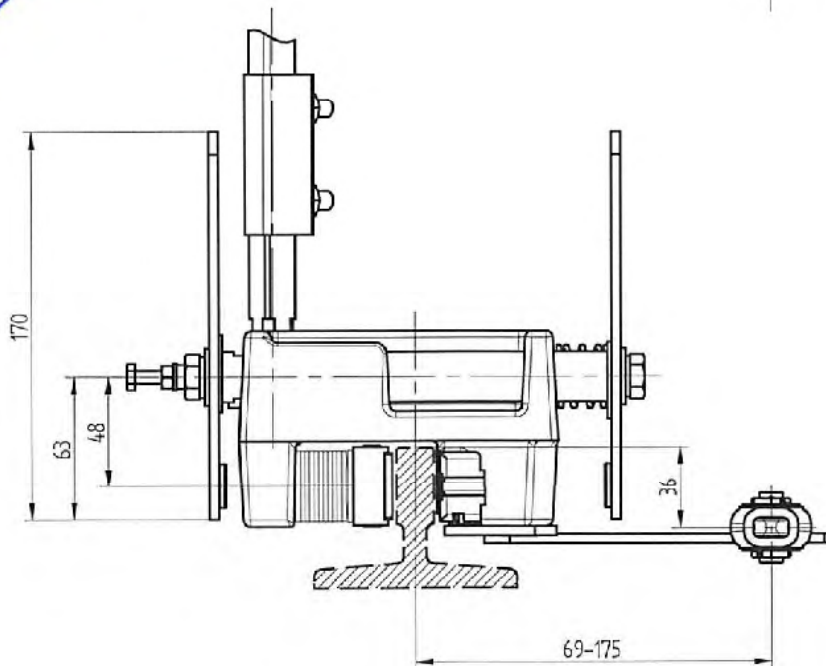
- END OF DOCUMENT -

# Bremsfangvorrichtung Typ - PC1620



27. JAN. 2016

**GEPRÜFT / APPROVED**  
 TÜV SÜD Industrie Service GmbH  
 Prüflaboratorium für Produkte der Fördertechnik  
 Westergaßstraße 199  
 80669 München  
 Sachverständiger / Expert



Das Urheberrecht an dieser Zeichnung und allen  
 Rechten, die zum Eigentum der Firma gehören,  
 wird vorbehalten. Jede Vervielfältigung ohne  
 schriftliche Genehmigung der Firma ist  
 ausdrücklich untersagt.

**Ausgabe:**  
 20.01.16 / H. Gehrig

**लॉन्गिनिवर्नी**  
 Lobbianchi Liftteile AG

Weststrasse 15, CH-3672 Oberdiessbach  
 Tel. ++41 - 403117205050  
 Fax ++41 - 403117205051  
 info@lobbianchi.ch - www.lobbianchi.ch

**Zeichnungsnummer**  
 1620-BZ01-1