



EC type-examination certificate

Certificate no.: ABV 826/1

Notified body: TÜV SÜD Industrie Service GmbH
Westendstr. 199
80686 München - Germany

**Applicant/
Certificate holder:** WARNER Electric Europe
7, rue de Champfleür
BP 20095
49124 St. Barthelemy D'Anjou - France

Date of application: 2011-02-02

Manufacturer of the test sample: WARNER Electric Europe
7, rue de Champfleür
BP 20095
49124 St. Barthelemy D'Anjou - France

Product: Braking device acting on the shaft of traction sheave, as part of the protection device against overspeed for the car moving in upwards direction

Type: ERS VAR07 SZ800/___

Test laboratory: TÜV SÜD Industrie Service GmbH
Prüflaboratorium für Produkte der Fördertechnik
Prüfbereich Aufzüge und Sicherheitsbauteile
Westendstr. 199
80686 München - Germany

**Date and
number of the test report:** 2011-07-28
ABV 826/1

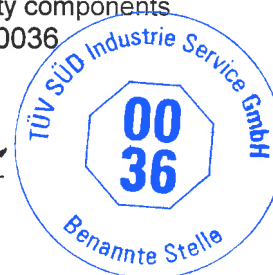
EC-Directive: 95 / 16 / EC

Result: The safety component conforms to the essential safety requirements of the Directive for the respective scope of application stated on page 1 - 2 of the annex to this EC type-examination certificate.

Date of issue: 2011-07-28

Certification body for lifts and safety components
Identification number: 0036

C. Rührmeyer
Christian Rührmeyer



Annex to the EC type-examination certificate No. ABV 826/1 dated 2011-07-28

1 Scope of Application

1.1 Permissible brake moment when the braking device acts on the shaft of the traction sheave while the car is moving upward 1007 - 1871 Nm

1.2 Maximum tripping speed of the overspeed governor and maximum rated speed

The maximum tripping speed and the maximum rated speed must be calculated on the basis of the traction sheave's maximum tripping rotary speed and maximum rated rotary speed as outlined in sections 1.2.1 and 1.2.2 taking into account traction sheave diameter and car suspension.

$$v = \frac{D \times \Pi \times n}{60 \times i}$$

v = speed (m/s)
 D = Diameter of the traction sheave from rope's center to rope's center (m)
 Π = 3,14
 n = Rotary speed (min^{-1})
 i = Ratio of the car suspension

1.2.1 Maximum tripping rotary speed of the traction sheave 400 min^{-1}

1.2.2 Maximum rated rotary speed of the traction sheave 348 min^{-1}

2 Conditions

2.1 Since the braking device represents only a part of the protection device against overspeed for the car moving in upwards direction an overspeed governor as per EN 81-1, paragraph 9.9 must be used to monitor the upward speed and the braking device must be triggered (engaged) via the overspeed governor's electric safety device.

Alternatively, the speed may also be monitored and the braking device engaged by a device other than an overspeed governor as per paragraph 9.9 if the device shows the same safety characteristics and has been type tested.

2.2 The movement of each brake circuit (each anchor) is to be monitored separately and directly (e.g. by micro switches). If a brake circuit fails to engage (close) while the lift machine is at standstill, next movement of the lift must be prevented.

2.3 In cases where the lift machine moves despite the brake being engaged (closed), the lift machine must be stopped at the next operating sequence at the latest and the next movement of the lift must be prevented (The car may, for example, be prevented from travelling by querying the position of the micro switch which is used to monitor the mechanical movement of the brake circuits, should both brake circuits fail to open).

- 2.4 According to EN 81-1, paragraph 9.10.4 d) a braking device must act directly on the traction sheave or on the same shaft on which the traction sheave is situated in the immediate vicinity thereof. If the braking device does not act in the immediate vicinity of the traction sheave on the same shaft on which the traction sheave is situated, the standard is not complied with. In cases involving shaft failure between the traction sheave and the braking device, safety would no longer be ensured by the latter if the lift car made an uncontrolled upward movement. Shaft failure in this area must therefore be ruled out by appropriate design and sufficient dimensioning. In order to eliminate or reduce influencing factors which may lead to failure wherever possible, the following requirements must be satisfied:
- Minimization of bending length between traction sheave and braking device or traction sheave and the next bearing (the next bearing must form part of the drive unit)
 - As far as possible, prevention of a reduction in load-bearing capacity in the area of reversed bending stress (reduction in load-bearing capacity caused, for example, by stress concentration and cross-sectional reductions)
 - Between traction sheave and braking device the shaft must be continuous (made from one piece)
 - Cross-sectional influences on the shaft are only permitted if they act on the following connections: traction sheave – shaft, braking device – shaft, torque of the transmitting component – shaft (situated between traction sheave and braking device).
- 2.5 The manufacturer of the drive unit must provide calculation evidence that the connection braking device – shaft, traction sheave - shaft and the shaft itself is sufficiently safe. The calculation evidence must be enclosed with the technical documentation of the lift.

3 Remarks

- 3.1 The brake moment effectively adjusted of one brake circuit will be marked at the blank after the type designation ERS VAR07 SZ800/___.
- 3.2 The permissible braking moments must be applied to the lift system in such a manner that they do not decelerate more than $1 g_n$, if the empty car is moving upwards.
- 3.3 In the scope of this EC type-examination it was found out, that the brake device also functions as a brake for normal operation, is designed as a redundant system and therefore meets the requirements to be used also as a part of the protection device against overspeed for the car moving in upwards direction.
- This EC type-examination only refers to the requirements pertaining to brake devices as per EN 81-1, paragraph 9.10. Checking whether the requirements as per paragraph 12.4 have been complied with is not part of this type examination.
- 3.4 In order to provide identification and information about the design and its functioning drawing No. 1 12 107213 with certification stamp dated 2009-09-21 is to be enclosed with the EC type-examination certificate and the Annex thereto. The installation conditions and connection requirements are presented or described in separate documents.
- 3.5 The EC type-examination certificate may only be used in connection with the pertinent annex and the list of the authorized manufacturers (according to enclosure). This enclosure shall be updated and re-edited following information of the certificate holder.



Industrie Service

**Enclosure to the EC type-examination certificate
No. ABV 826/1 dated 2011-07-28**

Authorised manufacturer – Production sites (Stated: 2011-07-28):

WARNER Electric Europe

7, rue de Champfleur

BP 20095

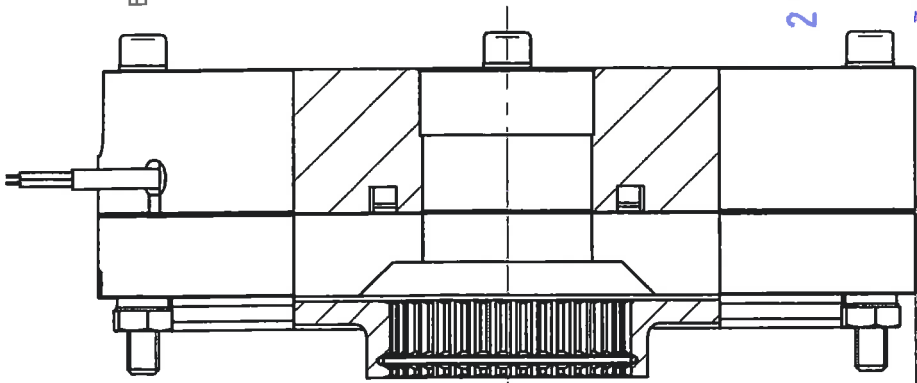
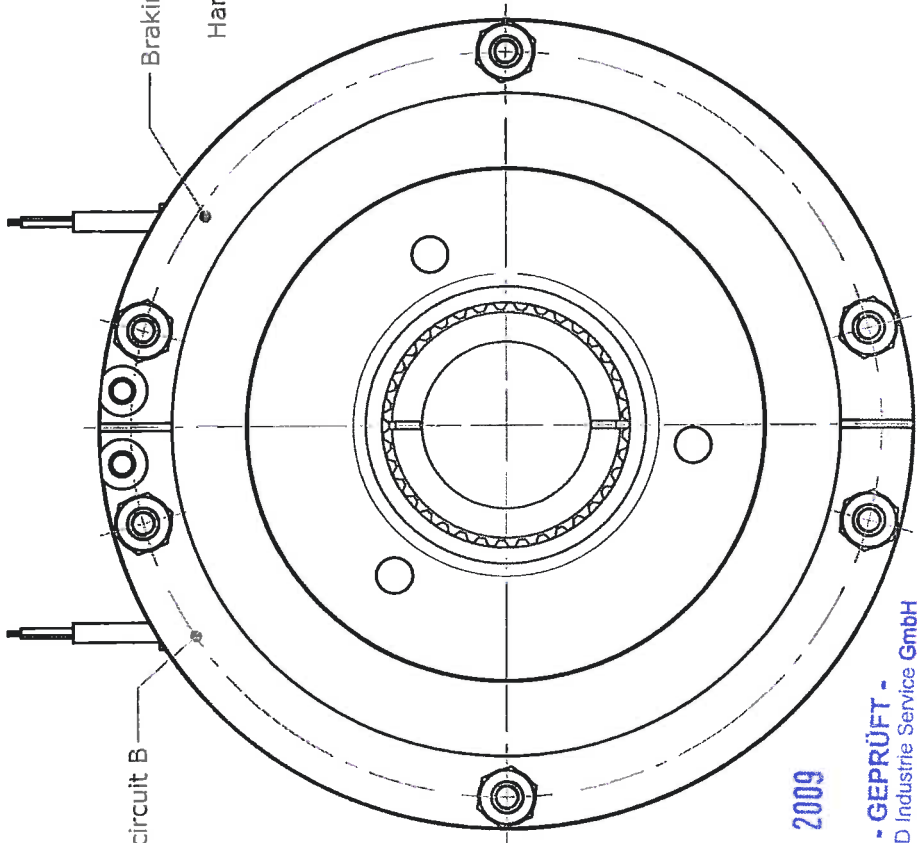
49124 St. Barthelemy D'Anjou - France

- END OF DOCUMENT -

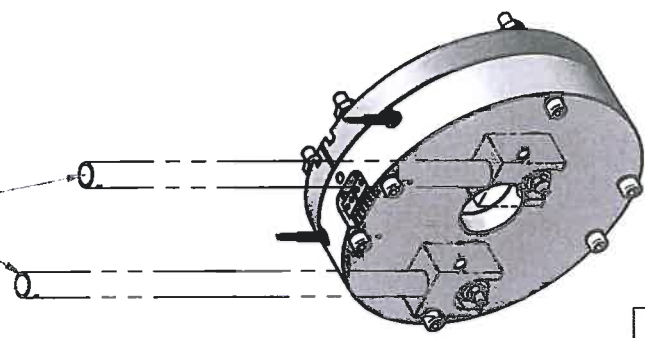
Base: Letter of WARNER Electric Europe dated 2011-02-02

Les cotes sans indication de tolérances sont des cotes nominales.
 Untoleranced dimensions are nominal dimensions.

NOTES



Hand lever (option)



TUV DIFFUSION

21. Sep. 2009

- GEPRÜFT -
 TÜV SÜD Industrie Service GmbH
 Zentralbereich Fördertechnik-Soqderbauen
 Abteilung Aufzüge und Sicherheitsbauteile
 Westendstr. 199, D-80686 München
 Der Sachverständige



Client/customer:		Customer ref :	
Ms (Nm) :		Dimensions in mm :	
Md (Nm) :		Manual/Notice :	SM
n Md (min-1) :		Mass :	
n max (min-1) :		Scale :	/
U (Vdc) :		Insulation class (°C):	
P20°C (W) :		Ce plan est la propriété de Warner Electric Europe, il ne peut être divulgué ni reproduit entièrement ou partiellement sans autorisation écrite.	
		This document is the property of Warner Electric Europe, it is not to be disclosed or reproduced totally or partially, without written permission.	
PM	LT	REVISION	DATE
			By Ch.
			Date: 17.07.09
		Drawn : G. Ferrand	Checked: MP.
			Date: 17.07.09
Design.: Electromagnetic brake			
Type: ERS VAR07 SZ800/----			
N° I 12 107213			

20 JUL 2009

Warner
 Electric
 Europe