



Industrie Service

EU-TYPE EXAMINATION CERTIFICATE

According to Annex IV, Part A of Directive 2014/33/EU

Certificate No.:	EU-OG 242
Certification Body of the Notified Body:	TÜV SÜD Industrie Service GmbH Westendstr. 199 80686 Munich – Germany Identification No. 0036
Certificate Holder:	INVENTIO AG Seestrasse 55 6052 Hergiswil – Switzerland
Manufacturer of the Test Sample: (Manufacturer of Serial Production - see Enclosure)	Schindler Drive Systems Poligono “Empresarium” Albardin, 58 50720 La Cartuja Baja - Zaragoza – Spain
Product:	Overspeed governor
Type:	SA GBP 202 ID-No.: 59314701
Directive:	2014/33/EU
Reference Standards:	EN 81-20:2014 EN 81-50:2014
Test report:	No. EU-OG 242 of 2017-12-20
Outcome:	The safety component conforms to the essential health and safety requirements of the mentioned Directive as long as the requirements of the annex of this EU-type examination certificate are kept.
Date of Issue:	2017-12-20

Achim Janocha /
Certification Body “lifts and cranes”



1 Scope of application

1.1	Permissible tripping speed	0.70 – 2.35 m/s
1.2	Permissible rated speed	≤ 2.04 m/s
1.3	Driving rope	
1.3.1	Type	Round strand rope made of steel wire
1.3.2	Diameter	6 – 6.5 mm
1.4	Minimum tension forces (force produced by the tensioning weight, acting on the axis of rope deviating pulley)	
1.4.1	Tensioning force determined in the test (New rope and groove)	135 N
1.4.2	Tension force determined by calculation (coefficient of friction $\mu = 0.09$)	1008 N
1.5	Tensile force at minimum tension force	1000 N

2 Conditions

- 2.1 The adjusted tripping speeds must be sealed against unauthorised adjustment.
- 2.2 The direction of rotation for retracting the safety gear is to be marked at overspeed governor.
- 2.3 Deflection of rope way is optional, tensile force with rope way with 90° turned against normal direction (laterally to the right or left) must not exceed 4000 N, and tensile force with rope way with 180° turned against normal direction (upward) must not exceed 6000 N . The mass of the tensioning weight is to be determined accordingly.
- 2.4 Design with and without remote release possible.
- 2.5 For identification and information about the principal construction and operation and for demarcation of the examined and approved sample the identification drawing M __ 41314701 with certification stamp dated 2015-07-17 has to be enclosed to the EU-type examination certificate and its annex.
- 2.6 The EU-type examination certificate may only be used in connection with the pertinent annex and the enclosure (list of the manufacturers serial production). This enclosure shall be updated and re-edited following information of the certificate holder.

3 Remarks

- 3.1 The overspeed governor can be used as a part of the protection device against overspeed for the car moving in upwards direction. Monitoring of upward speed will be done by overspeed governor itself and a braking device can be triggered (engaged) via the overspeed governor's electric safety device.
- 3.2 This EU-type examination certificate is based modelled after and /or harmonized standards as following:
 - EN 81-1:1998 + A3:2009 (D), Annex F.4
 - EN 81-2:1998 + A3:2009 (D), Annex F.4
 - EN 81-20:2014 (D), point 5.6.2.2.1.1 b), point 5.6.2.2.1.2, point 5.6.2.2.1.7
 - EN 81-50:2014 (D), point 5.4
- 3.3 Changes resp. extensions of the upper mentioned standards or a further development of the state of the art may make a revision of this EU-type examination certificate necessary.

Anlage zur EU-Baumusterprüfbescheinigung
Nr. EU-OG 242 vom 20.12.2017



Industrie Service

Hersteller Serienfertigung – Produktionsstandorte (Stand: 20.12.2017):

Firma Schindler Drive Systems
Adresse Poligono "Empresarium"
Albardin 58
50720 La Cartuja Baja - Zaragoza – Spanien

Firma Schindler (China) Elevator Co. Ltd.
Adresse No. 818 Jin Men Road
215004 Suzhou – P.R. China

Firma Elevadores Atlas Schindler S. A.
Adresse R. Angelina Ricci Vezozzo, 3400
86087 Londrina – Brasilien

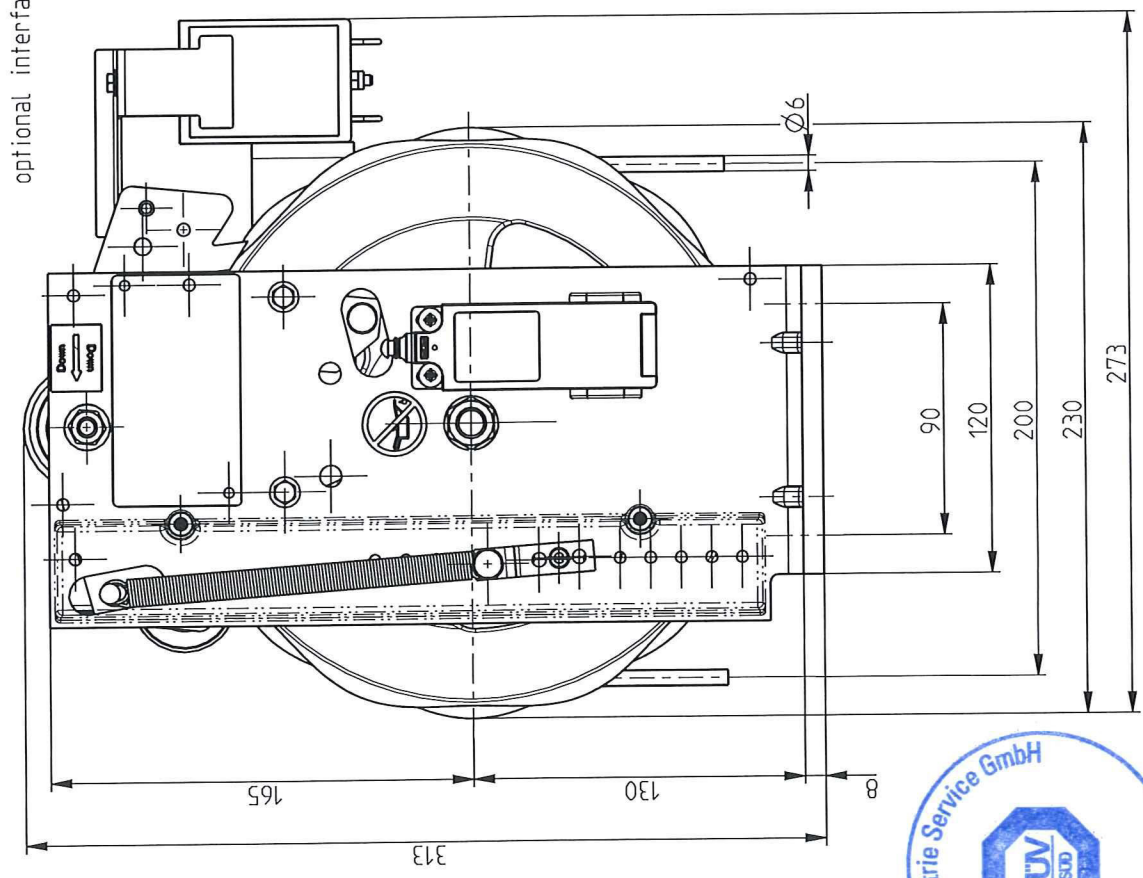
- ENDE DOKUMENT -

Prof. This presentation is our intellectual property. Without our written consent, it shall neither be copied in any manner, nor used for manufacturing, nor communicated to third parties.

E Diese Darstellung ist unser geistiges Eigentum. Sie darf ohne unsere schriftliche Zustimmung weder gedruckt noch zur Anfertigung des Werkes gezeichnet oder Dritten bekanntgegeben werden.

F Cet ouvrage est notre propriété intellectuelle. Sans notre autorisation écrite, il ne peut être ni copié d'une manière quelconque, ni être utilisé pour la fabrication, ni non plus être communiqué à des tiers.

A



optional interface for cover

17. JULI 2015

GEPRÜFT / APPROVED
 TÜV SÜD Industrie Service GmbH
 Prüflaborium für Produkte der Forstechnik
 Westendstraße 199
 80686 München
 Sachverständig(r) / Expert



- Notes:
- Cover and rope retainer not shown on drawing
 - Falling protection not shown on drawing
 - Different optional electrical remote controls available
 - Different safety switches available

59314701	Semi finished product / raw material	Item	Code surface	Heat treatment	Draw / Model	12.002
Ident. No.		Serial Ident. No.		Related BPH		Weight Kg.
Modification				Related BPH		
KA No.	159459		Draw Ver.	Related BPH		
KA Date	2015-10-17		Mod. Ver.	Release Level		
GROUP: SAFETY						
Dimensioned Drawing						
SA GBP 202						
INVENTIO AG CH-6052 Hergiswil						
Classification 11360						
Format A3						
Lead Office EB3						
M_41314701						
Lamp. EN						

8 7 6 5 4 3 2 1

A B C D E F