



EC type-examination certificate

Certificate no.:	AGB 208/3
Notified body:	TÜV SÜD Industrie Service GmbH Westendstr. 199 80686 München - Germany
Applicant/ Certificate holder:	Inventio AG Seestrasse 55 6052 Hergiswil – Switzerland
Date of application:	2010-09-23
Manufacturer of the test sample:	Schindler Drive Systems Poligono "Empresarium" Albardin, 58 50720 La Cartuja Baja – Zaragoza – Spain
Product:	Overspeed governor
Type:	SA GB 42
Test laboratory:	TÜV SÜD Industrie Service GmbH Prüflaboratorium für Produkte der Fördertechnik Prüfbereich Aufzüge und Sicherheitsbauteile Westendstr. 199 80686 München - Germany
Date and number of the test report:	2010-11-11 AGB 208/3
EC-Directive:	95 / 16 / EC
Result:	The safety component conforms to the essential safety requirements of the Directive for the respective scope of application stated on page 1 of the annex to this EC type-examination certificate.
Date of issue:	2010-11-12

Certification body for lifts and safety components
Identification number: 0036

C. Rührmeyer
Christian Rührmeyer





Industrie Service

**Enclosure of EC type - examination certificate
No. AGB 208/3 dated 2010-11-12**

Authorised manufacturer – Production sites (Stated: 2010-11-12):

Schindler Drive Systems

Poligono "Empresarium"

Albardin, 58

50720 La Cartuja Baja – Zaragoza – Spain

- END OF DOCUMENT -

Base: Letter of Schindler Elevator Ltd. dated 2010-09-23



Industrie Service

**Annex to the EC type-examination certificate
no. AGB 208/3 dated 2010-11-12**

1 Scope of Application

1.1	Permissible tripping speed	2.8 – 12.5 m/s
1.2	Permissible nominal speed	2.5 – 10.0 m/s
1.3	Driving rope	
1.3.1	Type	Round strand rope made of steel wire
1.3.1	Diameter	10 mm
1.4	Minimum tensile force	300 N

2 Remarks

- 2.1 The preset tripping speed must be sealed against unauthorised adjustment.
- 2.2 The direction of rotation for retracting the safety gear is to be marked at overspeed governor.
- 2.3 In order to provide identification and information about the basic design and it's functioning and to show which parts have been tested of the approved type drawing no. Z __ 273360 with revision state Ae6 is to be enclosed with the EC type-examination certificate and the annex thereto. The environmental conditions and connection requirements of the overspeed governor are presented or described in separate documents (e. g. installation instructions).
- 2.4 The EC type-examination certificate may only be used in connection with the pertinent annex and the list of the authorized manufacturers (according to enclosure). This enclosure shall be updated and re-edited following information of the certificate holder.

Note: The English text is a translation of the German original. In case of any discrepancy, the German version is valid only.

12. Nov. 2010

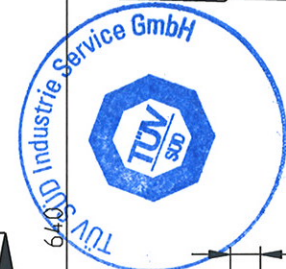
- GEPRÜFT -
 TÜV SÜD Industrie Service GmbH
 Zentralbereich Fördertechnik-Sonderbauten
 Abteilung Aufzüge und Sicherheitsbauteile
 Westendstr. 199, D-80686 München
 Der Sachverständige

rw

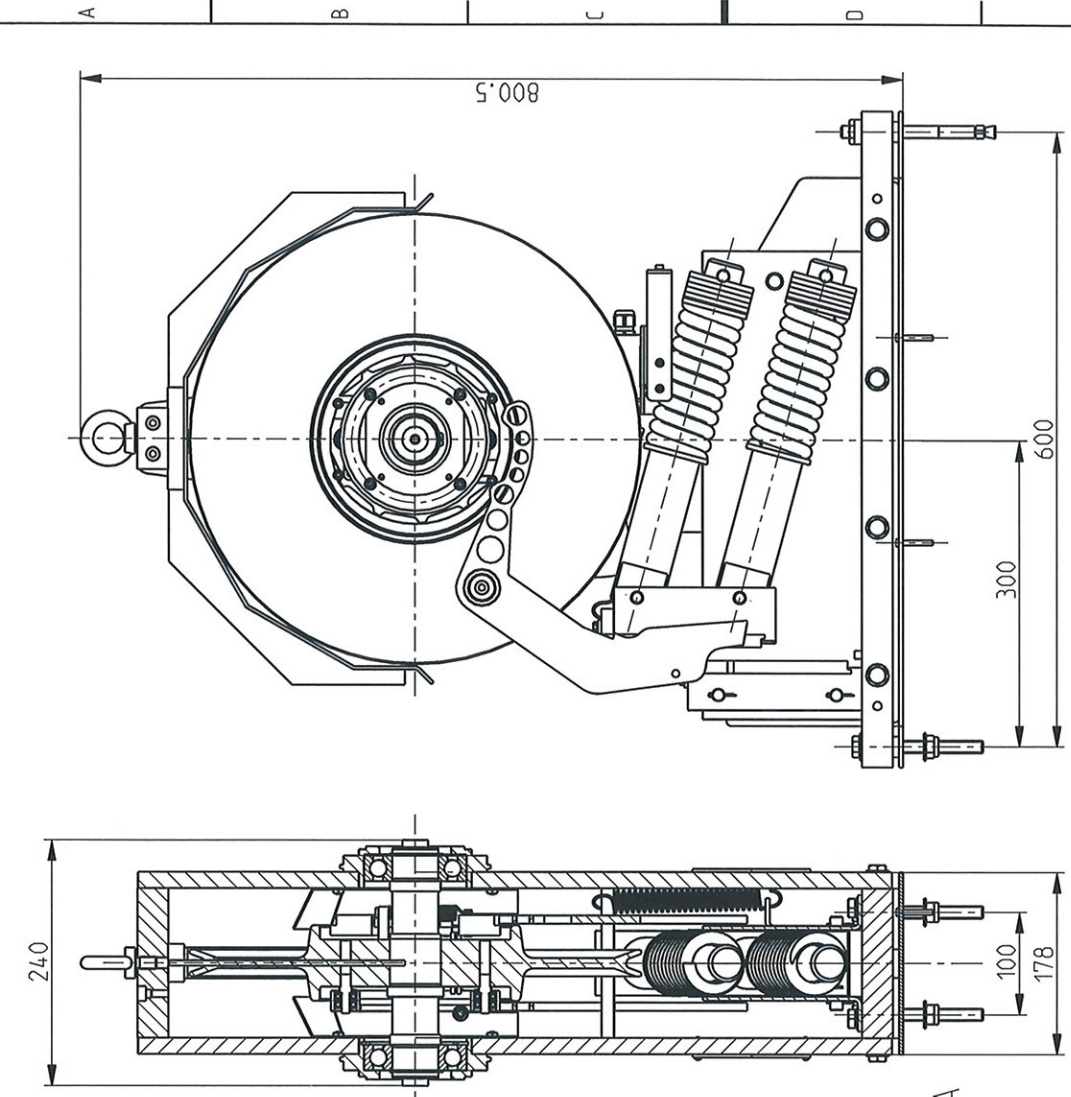
Serial number

Rope must not be relubricated

Indicator groove
 Replace brake lining if wear check dimension <30



Wear check dimension



Speed setting according to J 273314

Ident. No.	Semi finished product / raw material	Item	Code surface	Heat treatment	Draw / Weight
189466		AG6			155.200
Modification		159125	Draw Ver.	Related BDM	
KA No.		2010-12-23	Model Ver.	Related BDM	
KA Date			Release Level	Released	
GROUP: SAFETY					
Remarks					
Overspeed governor SA GB 42 TÜV			Scale	Replaces /A:	Name
Identification for EC type-examination certificate			1:5		heirimi
Classification			Lead Office	Released	kuensima
11360			EB3	Released	kuensima
Format A3				Released	greaumi
INVENTIO AG CH-6052 Hengiswil				Released	Lang.
Z---273360					EN

This presentation is our intellectual property. Without our written consent, it shall neither be copied in any manner, nor used for manufacturing. For communication to third parties, please contact the undersigned. This presentation is our intellectual property. Without our written consent, it shall neither be copied in any manner, nor used for manufacturing. For communication to third parties, please contact the undersigned.