



EC type-examination certificate

Certificate no.: AGB 223/4

Notified body: TÜV SÜD Industrie Service GmbH
Westendstr. 199
80686 München - Germany

**Applicant/
Certificate holder:** Inventio AG
Seestr. 55
6052 Hergiswil - Switzerland

Date of application: 2012-05-04

**Manufacturer of the test
sample:** Schindler Drive Systems
Poligono „Empresarium“
Albardin, 58
50720 La Cartuja Baja – Zaragoza - Spain

Product: Overspeed governor

Type: SA GB 32

Test laboratory: TÜV SÜD Industrie Service GmbH
Prüflaboratorium für Produkte der Fördertechnik
Prüfbereich Aufzüge und Sicherheitsbauteile
Westendstr. 199
80686 München - Germany

**Date and
number of the test report:** 2012-05-09
AGB 223/4

EC-Directive: 95 / 16 / EC

Result: The safety component conforms to the essential safety requirements of the Directive for the respective scope of application stated on page 1 of the annex to this EC type-examination certificate.

Date of issue: 2012-05-10

Certification body for lifts and safety components
Identification number: 0036

C. Rührmeyer
Christian Rührmeyer





**Annex to the EC type-examination certificate
no. AGB 223/4 dated 2012-05-10**

1 Scope of application

- 1.1 Permissible tripping speed 0.67 – 11.03 m/s
- 1.2 Permissible rated speed ≤ 8.00 m/s
- 1.3 Driving rope
- 1.3.1 Type Round strand rope made of steel wire with wire rope core or synthetic fibre core
- 1.3.2 Diameter 8 or 9.5 mm
- 1.4 Minimum tensile force depending on the core, the design of the brake linings and maximum tripping and nominal speed

Minimum tensile force (N)	1000	2000	3000	4500
Core	synthetic fibre	synthetic fibre	wire rope	wire rope
Brake lining	without inserts	without inserts	with inserts	with inserts
Max. permissible tripping speed (m/s)	11.03	6.93	11.03	6.93
Max. permissible nominal speed (m/s)	8.00	5.00	8.00	5.00

2 Condition

- 2.1 The adjusted tripping speeds must be sealed against unauthorised adjustment.

3 Remarks

- 3.1 The direction of rotation for retracting the safety gear is to be marked at overspeed governor.
- 3.2 In order to provide identification, information about the basic design and functioning and to show the environmental conditions and connection requirements pertaining to the tested and approved type, and to define which parts have been tested, drawing no. M_41348340 with certification stamp dated 2011-05-10 or drawing no. M_41373768 with certification stamp dated 2012-05-10 is to be enclosed with the EC type-examination certificate and the annex thereto.
- 3.3 The EC type-examination certificate may only be used in connection with the pertinent annex and the list of the authorized manufacturers (according to enclosure). This enclosure shall be updated and re-edited following information of the certificate holder.

Note: The English text is a translation of the German original. In case of any discrepancy, the German version is valid only.



Industrie Service

**Enclosure of EC type-examination certificate
no. AGB 223/4 dated 2012-05-10**

Authorised manufacturers – production sites (stated: 2012-05-10):

Schindler Drive Systems

Poligono „Empresarium“
Albardin, 58
50720 La Cartuja Baja – Zaragoza – Spain

Suzhou Schindler Elevator Co. Ltd.

818 Jin Men Road
Suzhou 215004 - China

Elevadores Atlas Schindler S. A.

R. Angelina Ricci Vezozzo, 3400
86087 – Londrina – PR - Brasil

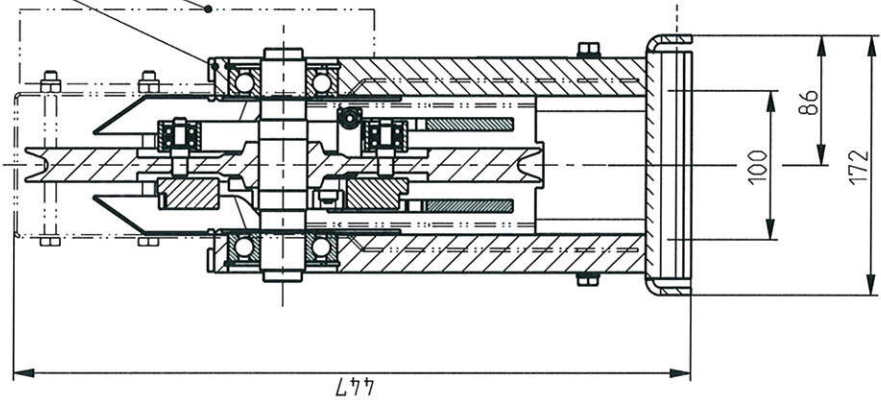
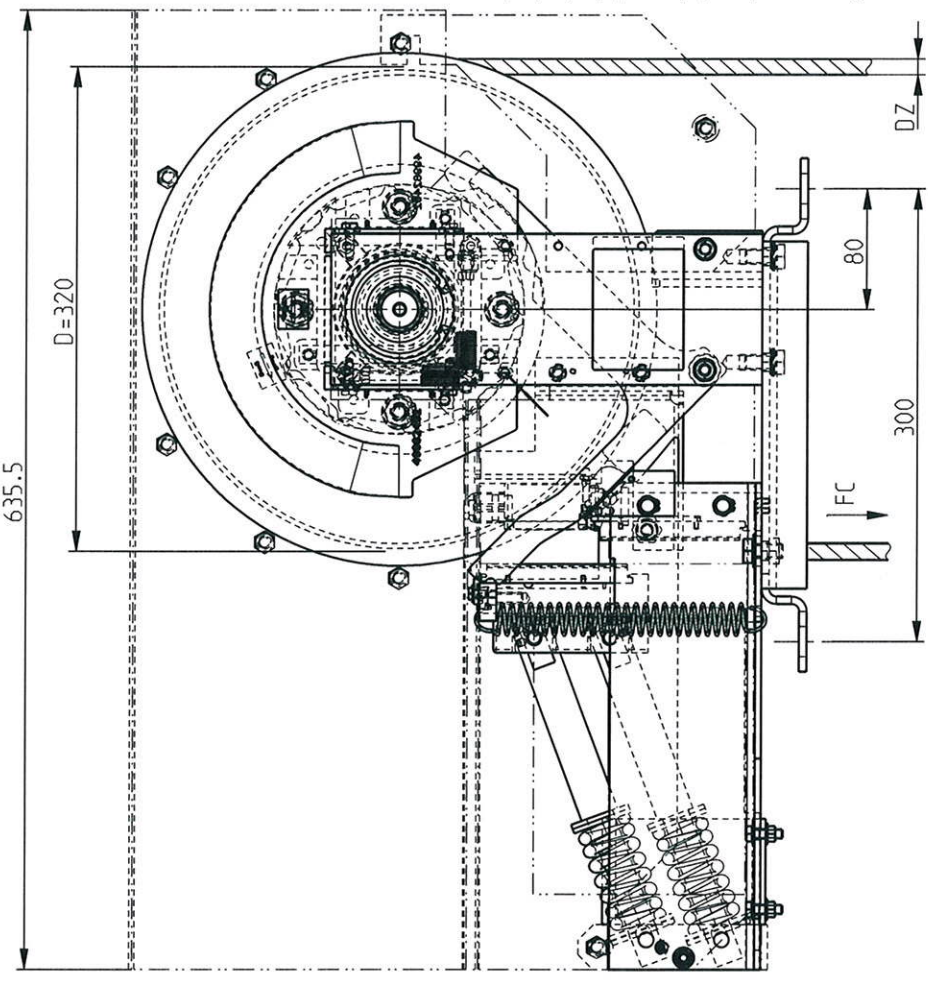
- END OF DOCUMENT -

Base: Request of Co. Schindler Aufzüge AG dated 2012-05-04

This presentation is our intellectual property. Without our written consent, it shall neither be copied in any manner, nor used for manufacturing. For communication to third parties, nor communicate to third parties. This presentation is our intellectual property. Without our written consent, it shall neither be copied in any manner, nor used for manufacturing. For communication to third parties, nor communicate to third parties.

Cette ouvrage est notre propriété intellectuelle. Sans notre autorisation écrite, il ne peut être ni copié d'une manière quelconque, ni être utilisé pour la fabrication, ni non plus être communiqué à des tiers.

Diese Darstellung ist unser geistiges Eigentum. Sie darf ohne unsere schriftliche Zustimmung weder irgendwie kopiert noch zur Anfertigung des Werkes gebraucht werden. Ohne unsere schriftliche Zustimmung werden irgendwelche Dritten davon in Kenntnis gesetzt.



Serial number
Incremental pulse generator (option)

10. Mai 2012

-GEPRÜFT-

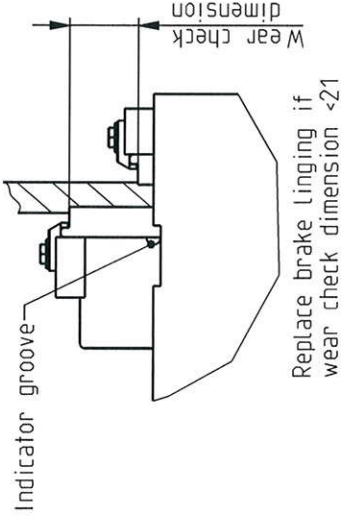
TÜV SÜD Industrie Service GmbH
Zentralbereich Fördertechnik-Sonderbauten
Abteilung Aufzüge und Sicherheitsbauteile
Westendstr. 199, D-80686 München
Der Sachverständige



Brake Lining:

3000N, 4500N	9.5	with
3000N, 4500N	8.0	with
1000N, 2000N	9.5	without
1000N, 2000N	8.0	without
FC	DZ	Inserts

Speed setting according J 41314018



	with inserts
	without inserts
Brake lining	

Ident. No.	Sent. fin. Ident. No.	Item	Loop surface	Heat treatment	Draw. / Bsp. / Model. / Kt.	Weight
Modification		Ae0		Related BGM		2.388
KA No.	159220			Related BGM		
KA Date	2012-05-01			Related BGM		
Group: 01				Release Level	Released	
Remarks						
Scale			Replaces /Ae	Prepared	Date	Name
1:1				2012-04-24	2012-04-25	grafmi
Classification			Page	Reviewed	2012-04-25	geisslmi
11360			1/1	Wasps checked	2012-04-25	geisslmi
Format A3			Lead Office	Released	2012-04-25	meierhda
INVENTIO AG CH-6052 Hergiswil			EB3			Lang.
						EN
						M_41373768

1 2 3 4 5 6 7 8