



Type Examination

No. BSI-LB-94101

Issued to:

Hebei Dongfang Machinery Factory

No. 112, Guangming East Avenue

Langfang City,

Hebei Province

Post Code: 065000

Peoples Republic of China



In respect of:

Energy Dissipation Buffer model YH32/173

on the basis of our examination under the requirements of Council Directive 95/16/EC, Annex V:A, The Lift Directive, as recorded in BSI Report No. 239/4486720 dated 3 May 2005.

For and on behalf of the British Standards Institution, a Notified Body for the above Directive (Notified Body Number 0086):

Anne Boyd, Managing Director, BSI Product Services

First Issued: **3 May 2005**

Issue 1 Date: **3 May 2005**

Page: 1 of 3

Any modification to the design of this product will invalidate this EC Certificate and the Notified Body, number 0086, must be informed without delay.


Type Examination

No. **BSI-LB-94101**

Scope of Certificate for energy dissipation buffer model YH32/173 is installed to operate under the following conditions:

1. For use with a minimum mass of 598kg.
2. For use with a maximum mass of 4546kg.
3. With a maximum impact speed of up to 1.84m/s.
4. For use with hydraulic fluid type that meets ISO VG68.

For and on behalf of the British Standards Institution, a Notified Body for the above Directive (Notified Body Number 0086):



Anne Boyd, Managing Director, BSI Product Services

First Issued: **3 May 2005**

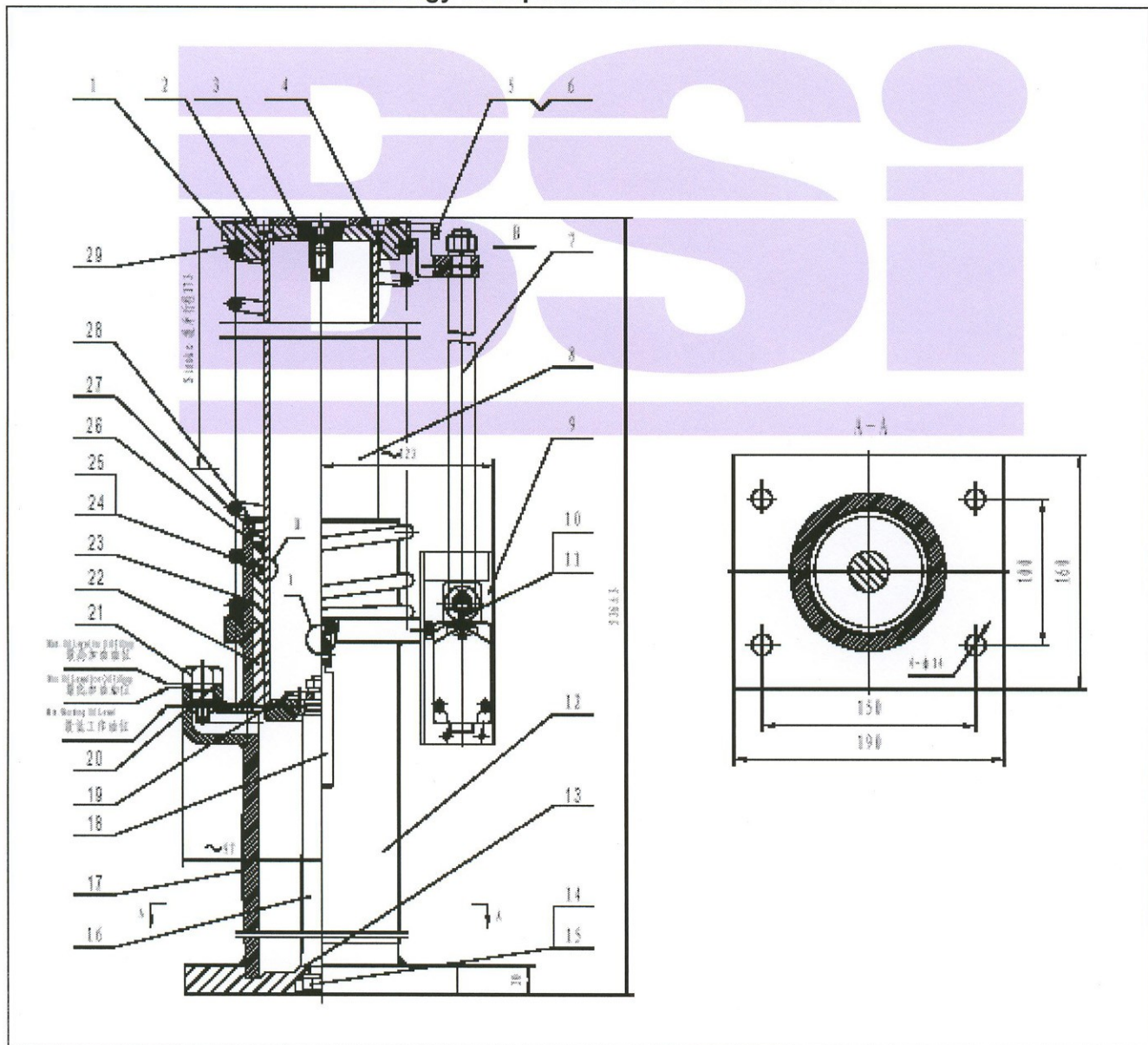
Issue 1 Date: **3 May 2005**

Page: 2 of 3

Type Examination

No. BSI-LB-94101

Energy Dissipation Buffer model YH32/173



First Issued: 3 May 2005

Issue 1 Date: 3 May 2005

Page: 3 of 3