



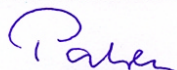
Zentrum der Förder- und Aufzugstechnik
Roßwein gGmbH
 Institut für Förder- und Aufzugstechnik an der Hochschule Mittweida (FH)



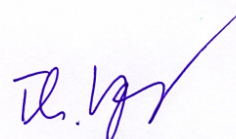
EC type-examination certificate

Certificate No.	0532/PU46/2-BP
Notified body	Zentrum der Förder- und Aufzugstechnik Roßwein gGmbH Döbelner Str. 65 A D-04741 Roßwein Ident. No.: 0734
Product / Type	Energy-accumulating buffer with damping of the return movement and non-linear characteristic Type EN 6
Name and address of the Manufacturer	Pleiger Kunststoff GmbH & Co. KG Im Hammertal 51 D-58456 Witten
Name and address of the applicant (Certificate owner)	Elastomer-Technik Nürnberg GmbH An der Kaufleite 20 D-90562 Kalchreuth
Date of submission	2005-08-16
EC-Directive / European Standard	<ul style="list-style-type: none"> ▪ Lift Directive 95/16/EC ▪ EN 81-1/2 : 1998 + AC : 1999
Test laboratory	Zentrum der Förder- und Aufzugstechnik Roßwein gGmbH - Prüflaboratorium -
Number and date of test report	0531/PU46/1-BE of 2005-09-09
Statement	The safety component conforms to the directive's essential safety requirements and health requirements for the respective scope of application stated of the annex to this EC type-examination certificate.
Certificate date	2005-09-13
Annex	Annex to the EC type-examination certificate no. 0532/PU46/2-BP

Zentrum der Förder- und Aufzugstechnik
 Roßwein gGmbH
 - Zertifizierungsstelle -



Prof. H. Patzelt
 Head of the
 Certification Body

DI Th. Meyer
 Editor

Bankverbindung
 Volksbank-Raiffeisenbank Döbeln eG
 Bankleitzahl 860 654 68
 Kontonummer 341 837 502

Geschäftsführer
 Prof. Horst Patzelt
 Amtsgericht Leipzig
 HRB 11449

Sitz der Gesellschaft
 ZFA Roßwein gGmbH
 Döbelner Straße 65 A
 04741 Roßwein



Annex to the EC type-examination certificate No. 0532/PU46/2-BP

1 General Information

1.1 Scope of application

Application with elevators by Lift Directive 95/16/EC and harmonised European Standard EN 81-1/2

1.1.1	max. rated speed:	1,6 m/s
1.1.2	max. hitting speed:	1,84 m/s
1.1.3	min. mass:	630 kg
1.1.4	max. mass:	1.700 kg

1.2 Allowed ambient conditions

(according to manufacturer's instructions)

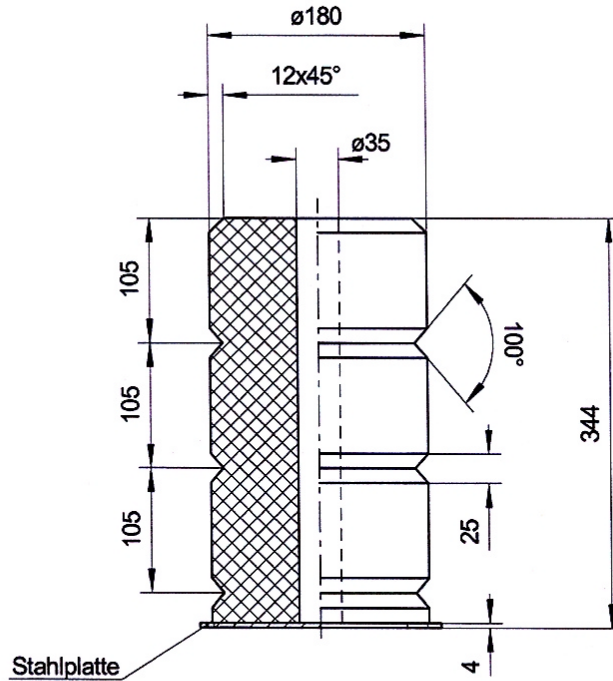
1.2.1	Temperature range:	-40°C to +80°C, continuous use up to +50°C
1.2.2	Humidity:	Max. 70% relative humidity at room temperature, avoid continuous contact with water, no effect of chemical substances
1.2.3	Contamination:	Oil-compatible and grease-compatible, protect against acids and leaches

1.3 External signs of the buffer

1.3.1	Dimensions:	Diameter: 180 mm Height: 340 mm
1.3.2	Kind of fixing:	Quadratic steel mounting plate with 4 holes for screw fittings \varnothing 17 mm
1.3.3	Marking:	CE marking, Certificate owner („ETN“), Type of buffer („EN 6“), Number of the EC type-examination certificate („0532/PU46/2-BP“), Identity number of notified body („0734“)

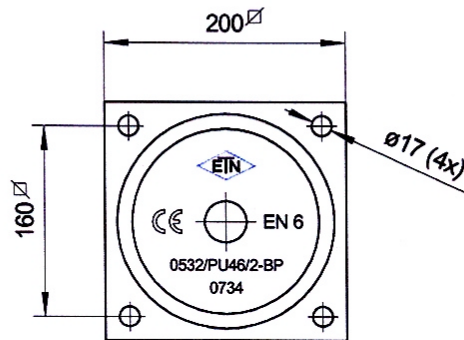
2 Additional remarks

- Deceleration peaks by the single tests to the EC type-examination have appeared no more than 3,0 g_n.
- The details of the operating instructions for ETN-lift buffers are must be noted.
- The EC type-examination certificate and their annex is to be enclosed the drawing no. 05-133 of 2005-08-17.
- The EC type-examination certificate may be used in connection with the pertinent annex only.



Th. Meyer
DI Th. Meyer
 Leiter Prüflaboratorium

13. SEP. 2005



Elastomer-Technik Nürnberg GmbH An der Kaufleite 20 D-90562 Kalchreuth				Maßstab 1 : 5	
				Artikel-Nr. 320206	
		Datum	Name	Aufsetzpuffer EN 6 ø 180 x 340 mm	
		Bearb.	J. Sperber		
		Gepr.			
		Norm			
				Zeichnung-Nr. 05-133	
Zust.	Änderung	Datum	Name	Ursprung	Ersatz für:
					Ersatz durch:
					Blatt
					Blätter



EU - declaration of conformity for ETN-lift buffers

Subject: ETN-lift buffers
Dimensions and load ranges: see table, page 2

Materials:

ETN-lift buffer: ETN[®]- Cell-PU
Mounting plates: steel

We hereby declare that the construction **Safety component in accordance with annex III number 4 of the directive 2014/33/EU – Energy-accumulating lift buffer with non-linear characteristics**

Harmonised standards used: **EN 81-1 (1998) + A3: 2009
EN 81-2 (1998) + A3: 2009**

Nominated test centre for the execution of EC type examination test: **Zentrum der Förder- und Aufzugstechnik Roßwein gGmbH
Döbelner Str. 65 A
D-04741 Roßwein
Notified body: 0734**

EC type examination test certificate no.: **see page 2**

Production monitoring by: **LIFTINSTITUUT B.V.
Buikslotermeerplein 381
NL-1025 XE Amsterdam
Notified body: 0400**

Year of production: **2016 (details see date stamp)**

Management:

**31/03/2016
Date**

**Horst Eichler
Signature**



EU type examination for ETN-lift buffers

The type examination tests for ETN lift buffers made from Cell-PU have been carried out in accordance with lift directive 95/16/EG. The certificate number records the permissible load ranges for every type of lift buffer. An EU type examination test certificate can be issued for every type of lift buffer on request.

min./max. load of range [kg] – nominal speed

Dimension [mm]	Buffer type	1,6 m/s
Ø 180 x 340	EN 6	630 1.700
EC type examination test certificate No.: 0532/PU46/2-BP		

Specified office: Zentrum der Förder- und
Aufzugstechnik Roßwein gGmbH
Döbelner Str. 65 A
D-04741 Roßwein

page 2